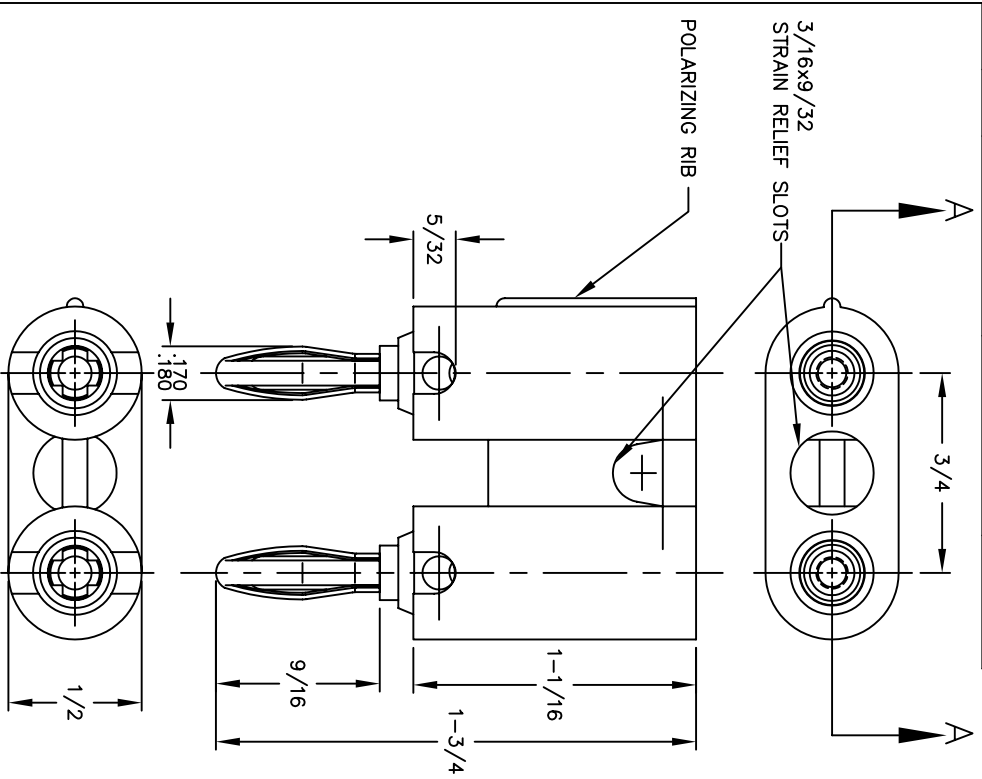


BILL OF MATERIALS				
DET.	QTY.	DESCRIPTION	MATERIAL	FINISH
1	2	CONTACT	BE-CU	NICKEL
2	2	BAN PLG BODY	BRASS	NICKEL
3	1	SHELL	ABS	-
4	2	SCREW	STEEL	ZINC

REVISIONS		REVISED BY	DATE	APPR
SYM	DESCRIPTION			



BANANA PLUG		
PART NO.	COLOR	CID #
210-102	RED	AA55469/2-02
210-103	BLACK	AA55469/2-01

MATERIAL: "SEE TABLE"	FINISH: "SEE TABLE"	TITLE: 210		<b>ABBATRON</b> Electronic Connectors and Hardware 632 Arch Street, Meadville, Pa. 16335
DIMENSIONAL TOLERANCES UNLESS OTHERWISE SPECIFIED		SCALE: 2:1		
XX	XXX	XXXX	SCALE	
---	---	---	ANGLES	
HEAT TREAT: ---	DRAWN: ED KLINE	DATE: 02-10-98	SIZE: B	DRAWING NUMBER: 210
PLOT SCALE: 1:1	CHECKED: E.MCKINNEY	DATE: 06-11-98	ISSUE: C	
	APPROVED: G.TERRILL	DATE: 06-11-98		