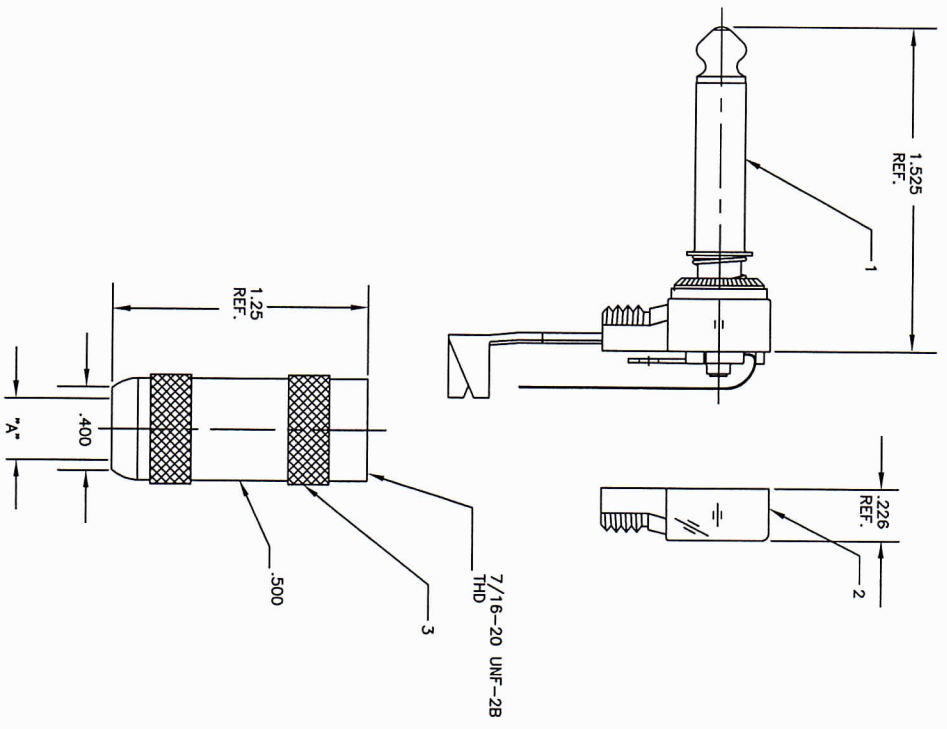


DET.	QTY.	PART NO.	DESCRIPTION	MATERIAL	PLATING	DWG. NO.
1	1	SEE TABLE	PLUG S/A	BRASS 360	SEE TABLE	SEE TABLE
2	1	SEE TABLE	TOP HOUSING	ZINC	SEE TABLE	X19-1
3	1	SEE TABLE	HOUSING	BRASS	SEE TABLE	X19-4

REVISIONS		REVISED	DATE	APPR
SYM	DESCRIPTION			

DET 1		DET 2		DETAL 3		"A"
PART#	FINISH	PART#	FINISH	PART#	FINISH	
RFQPBGG	RFQP-0GG	X192G	GOLD	X194B	BLK NICKEL	.300
RFQPBGG270	RFQP-0GG	X192G	GOLD	X194B	BLK NICKEL	.270
RFQPBGG322	RFQP-0GG	X192G	GOLD	X194B	BLK NICKEL	.322
RFQPBGG375	RFQP-0GG	X192G	GOLD	X194B	BLK NICKEL	.375
RFQPBGG390	RFQP-0GG	X192G	GOLD	X194B	BLK NICKEL	.390
RFQPBNN	RFQP-0NN	X192N	NICKEL	X194B	BLK NICKEL	.300
RFQPBNN322	RFQP-0NN	X192N	NICKEL	X194B	BLK NICKEL	.322
RFQPBNN375	RFQP-0NN	X192N	NICKEL	X194B	BLK NICKEL	.375
RFQPBNN390	RFQP-0NN	X192N	NICKEL	X194B	BLK NICKEL	.390
RFQPGGG	RFQP-0GG	X192G	GOLD	X194G	GOLD	.300
RFQPGGG322	RFQP-0GG	X192G	GOLD	X194G	GOLD	.322
RFQPGGG340	RFQP-0GG	X192G	GOLD	X194G	GOLD	.340
RFQPGGG375	RFQP-0GG	X192G	GOLD	X194G	GOLD	.375
RFQPGGG390	RFQP-0GG	X192G	GOLD	X194G	GOLD	.390
RFQPNGG	RFQP-0GG	X192G	GOLD	X194G	GOLD	.300
RFQPNGG322	RFQP-0GG	X192G	GOLD	X194N	NICKEL	.322
RFQPNGG340	RFQP-0GG	X192G	GOLD	X194N	NICKEL	.340
RFQPNGG375	RFQP-0GG	X192G	GOLD	X194N	NICKEL	.375
RFQPNGG390	RFQP-0GG	X192G	GOLD	X194N	NICKEL	.390
RFQPNGN	RFQP-0GN	X192N	NICKEL	X194N	NICKEL	.300
RFQPNGN322	RFQP-0GN	X192N	NICKEL	X194N	NICKEL	.322
RFQPNGN340	RFQP-0GN	X192N	NICKEL	X194N	NICKEL	.340
RFQPNGN375	RFQP-0GN	X192N	NICKEL	X194N	NICKEL	.375
RFQPNGN390	RFQP-0GN	X192N	NICKEL	X194N	NICKEL	.390
RFQPNNN	RFQP-0NN	X192N	NICKEL	X194N	NICKEL	.300
RFQPNNN322	RFQP-0NN	X192N	NICKEL	X194N	NICKEL	.322
RFQPNNN340	RFQP-0NN	X192N	NICKEL	X194N	NICKEL	.340
RFQPNNN375	RFQP-0NN	X192N	NICKEL	X194N	NICKEL	.375
RFQPNNN390	RFQP-0NN	X192N	NICKEL	X194N	NICKEL	.390
RFQPNNN260	RFQP-0NN	X192N	NICKEL	X194N260	NICKEL	.260



**ABBATRON**  
Electronic Connectors and Hardware  
13680 S. WOSPERTOWN RD  
MEADVILLE, PA 16335

**R/A QUITE PLUG**

FINISH: SEE BOM HEAT TREAT: ---

DRAWN: T. LORD DATE: 7/21/10  
CHECKED: T. LORD DATE: 7/21/10  
APPROVED: T. LORD DATE: 7/21/10

MATERIAL: SEE BOM DIMENSIONAL TOLERANCES UNLESS OTHERWISE SPECIFIED  
 .XX .XXX  
 ±.01 ±.005  
 FRACTIONS ANGLES SCALE  
 ±1/64 ±1' 2:1  
 SURFACE FINISH  
 12.5 0.002

SIZE: C DRAWING NUMBER: SD-RFQP ISSUE: -

THIS DRAWING AND THE INFORMATION THEREIN IS THE PROPERTY OF ABBATRON, LLC AND IS UNAUTHORIZED FOR REPRODUCTION OR USE IN PROMOTIONAL IS PROHIBITED.