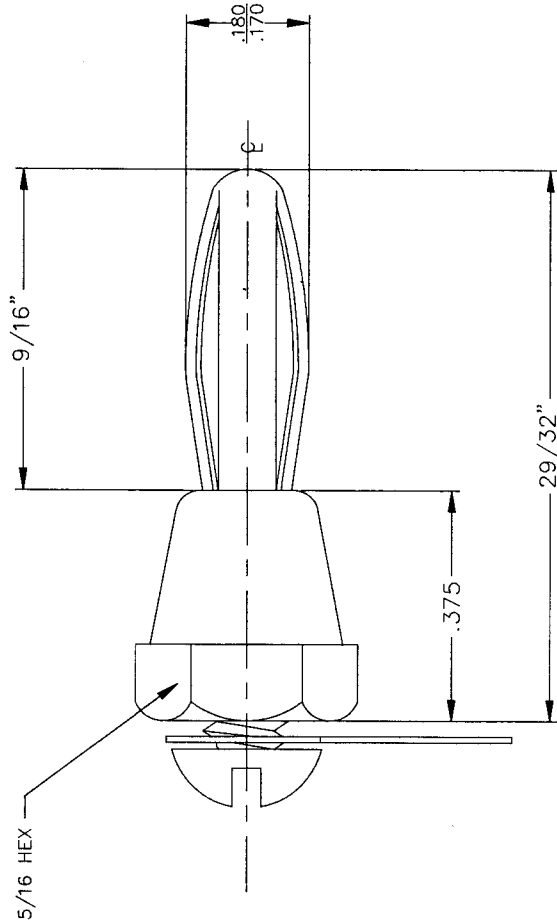


REVISIONS		REVISED BY	DATE	APPR
SYM	DESCRIPTION			



PART#	FINISH
100	NICKEL
100AD	GOLD

NOTE:

MATERIAL--  
 BODY: BRASS  
 SPRING: BeCu  
 SCREW: STEEL  
 LUG: BRASS

MATERIAL:	SEE NOTE	FINISH:	SEE TABLE	HEAT TREAT:	---
DIMENSIONAL TOLERANCES UNLESS OTHERWISE SPECIFIED	.XX	.XXX	.XXXX	TITLE:	100 & 100AD BANANA PLUG
FRACTIONS	---	---	---	SCALE	---
ANGLES	---	---	---	APPROVED:	T. LORD DATE: 6/30/06
SURFACE FINISH	125	---	---	CHECKED:	T. LORD DATE: 6/30/06
THIS DRAWING AND THE INFORMATION THEREIN IS THE PROPERTY OF ABBATRON AND ALL UNAUTHORIZED USE OR REPRODUCTION THEREOF IS PROHIBITED.				SIZE	A
				DRAWING NUMBER	SD-100
<b>ABBATRON</b> <b>Electronic Connectors and Hardware</b> 13680 S. MOSIERTOWN RD MEADVILLE, PA 16335				ISSUE	---