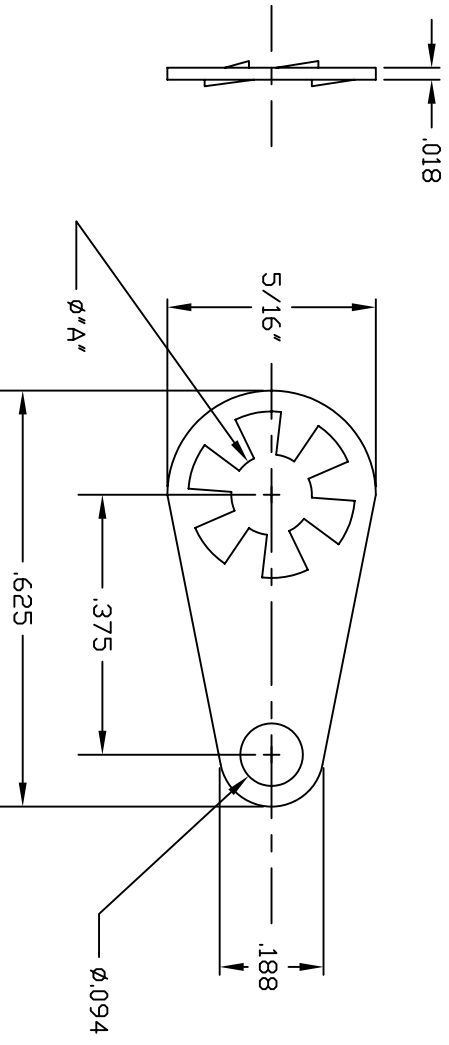


REVISIONS		REVISED BY	DATE	APPR
SYM	DESCRIPTION			



LUG TABLE			
PART NO.	QUANTITY	"A" DIM.	
1412-04	4	.120	
1412-06	6	.144	
141-08	8	.169	

MATERIAL BRASS 260 1/2 HARD		FINISH	ELECTRO TIN
DIMENSIONAL TOLERANCES UNLESS OTHERWISE SPECIFIED		TITLE	1413-04, 06, 08
.XX	.XXX	SOLDER	
---	---	LUG	
FRACTIONS	ANGLES	SCALE	
---	---	5X	
HEAT TREAT	---	DRAWN: T. LORD	DATE 7/15/11
PLDT SCALE: 1=1	---	CHECKED: T. LORD	DATE 7/15/11
	---	APPROVED: T. LORD	DATE 7/15/11
		CUSTOMER SALES DRAWING	
		Electronic Connectors and Hardware	
		13680 S. MOSIERTOWN RD	
		MEADVILLE, PA 16335	
		SIZE	DRAWING NUMBER
		B	SD: 1413-0X
			ISSUE

ABBATRON