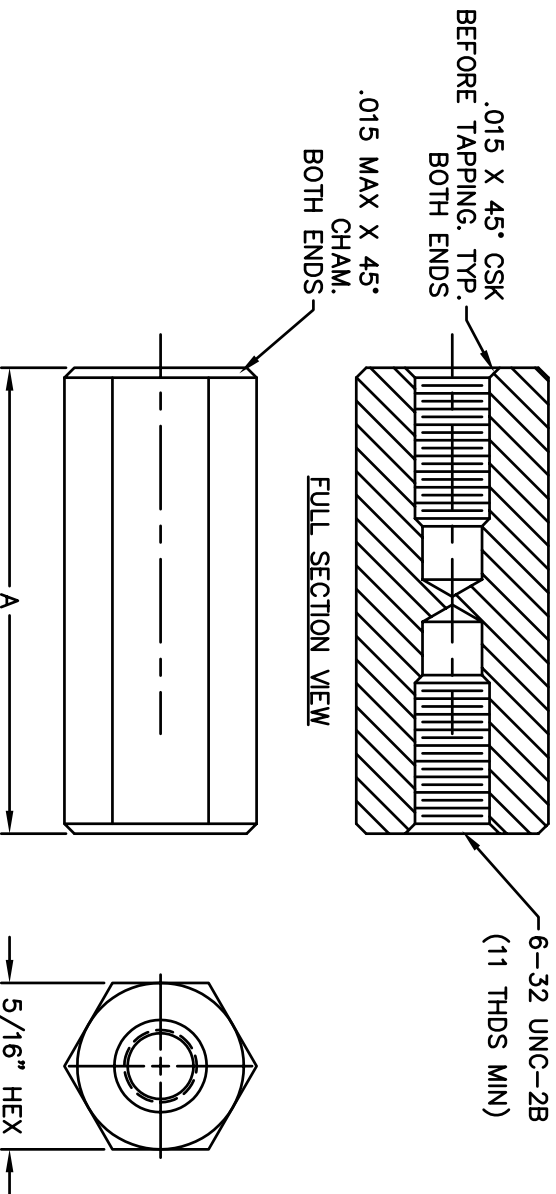


REVISIONS		REVISED	DATE	APPR
SYM	DESCRIPTION			



PART#	"A"
9403R	1.125
9403S	1.250
9403T	1.375
9403U	1.500
9403V	1.625
9403W	1.750
9403X	1.875
9403Y	2.000

- NOTE:
- 1.) ALL DIMENSIONS APPLY BEFORE PLATING
 - 2.) THDS SHALL BE TO GAUGE FIT (GO/NO-GO: 2A/2B) PRE-PLATE (GO: BASIC) AFTER PLATING OR OTHER FINISH
 - 3.) BREAK ALL SHARP CORNERS AND REMOVE BURRS
 - 4.) INSIDE CORNERS TO HAVE R.020 MAX

MATERIAL: ALUMINUM 2011 T3		FINISH: CLEAR CHROMATE	HEAT TREAT: ---
DIMENSIONAL TOLERANCES UNLESS OTHERWISE SPECIFIED		TITLE: ALUMINUM STANDOFF 5/16" HEX, 6-32 THD CUSTOMER SALES DRAWING	
XX	XXX	XXXX	
FRACTIONS	ANGLES	SCALE	
---	---	---	
DRAWN: T. LORD		DATE: 10/4/07	SIZE: B
CHECKED: T. LORD		DATE: 10/4/07	DRAWING NUMBER: SD: 9403 R-Y
APPROVED: T. LORD		DATE: 10/4/07	ISSUE: -

THIS DRAWING AND THE INFORMATION THEREIN IS THE PROPERTY OF ABBATRON, LLC. ANY REPRODUCTION THEREOF IS PROHIBITED.

ABBATRON
Electronic Connectors and Hardware
13680 S. MOSERTOWN RD
MEADVILLE, PA 16335