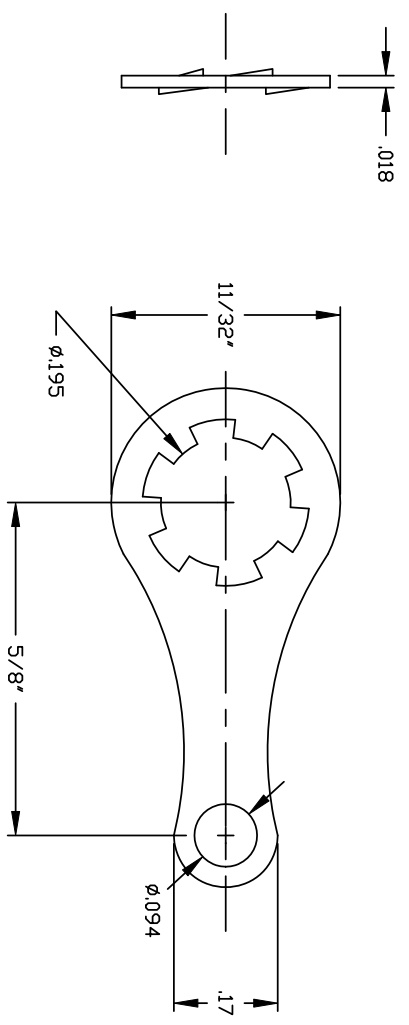


REVISIONS		REVISED BY	DATE	APPR
SYM	DESCRIPTION			



MATERIAL BRASS 260 1/2 HARP		FINISH TIN	
DIMENSIONAL TOLERANCES UNLESS OTHERWISE SPECIFIED		TITLE	
.XX	.XXX	1410-10	
		SOLDER LUG	
		CUSTOMER SALES DRAWING	
FRACTIONS	ANGLES	SCALE	
		5X	
HEAT TREAT		DRAWN: T. LORD	DATE 3/17/11
		CHECKED: T. LORD	DATE 3/17/11
PLDT SCALE: 1=1		APPROVED: T. LORD	DATE 3/17/11
ABBATRON		SIZE	DRAWING NUMBER
Electronic Connectors and Hardware		B	SD: 1410-10
13680 S. MOSIERTOWN RD			
MEADVILLE, PA 16335			
		ISSUE	