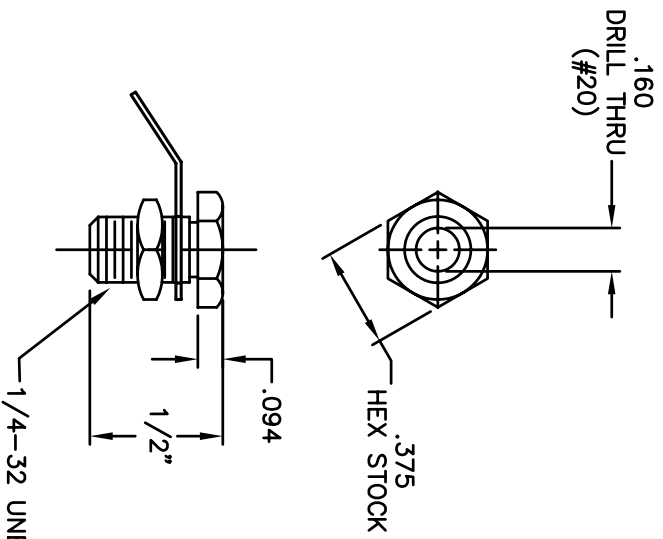


| BILL OF MATERIALS |      |             |          |         |
|-------------------|------|-------------|----------|---------|
| DET.              | QTY. | DESCRIPTION | MATERIAL | PLATING |
| 1                 | 1    | BODY        | BRASS    | NICKEL  |
| 2                 | 1    | NUT         | BRASS    | NICKEL  |
| 3                 | 1    | LUG         | BRASS    | TIN     |

| REVISIONS |  | SYM | DESCRIPTION | REVISED DATE | APPR |
|-----------|--|-----|-------------|--------------|------|
|           |  |     |             |              |      |



NOTE:  
1.) RECOMMENDED TORQUE LIMIT  
24 INCH LB

|  |     |                      |                        |
|--|-----|----------------------|------------------------|
| MATERIAL: SEE TABLE                                  |     | FINISH: SEE TABLE    |                        |
| DIMENSIONAL TOLERANCES<br>UNLESS OTHERWISE SPECIFIED |     | TITLE: 101           |                        |
| XX   | XXX | BANANA JACK ASSEMBLY |                        |
| ---  | --- | DRAWN: C. McBRIDE    |                        |
| ---  | --- | CHECKED: . . .       |                        |
| ---  | --- | DATE: 08-02-00       |                        |
| ---  | --- | APPROVED: . . .      |                        |
| ---  | --- | DATE: . . .          |                        |
| HEAT TREAT: . . .                                    |     | SIZE: B              | DRAWING NUMBER: SD-101 |
| PLOT SCALE: 1=1                                      |     | ISSUE: C             |                        |

**ABBATRON**  
Electronic Connectors and Hardware  
632 Arch Street, Meadville, Pa. 16335