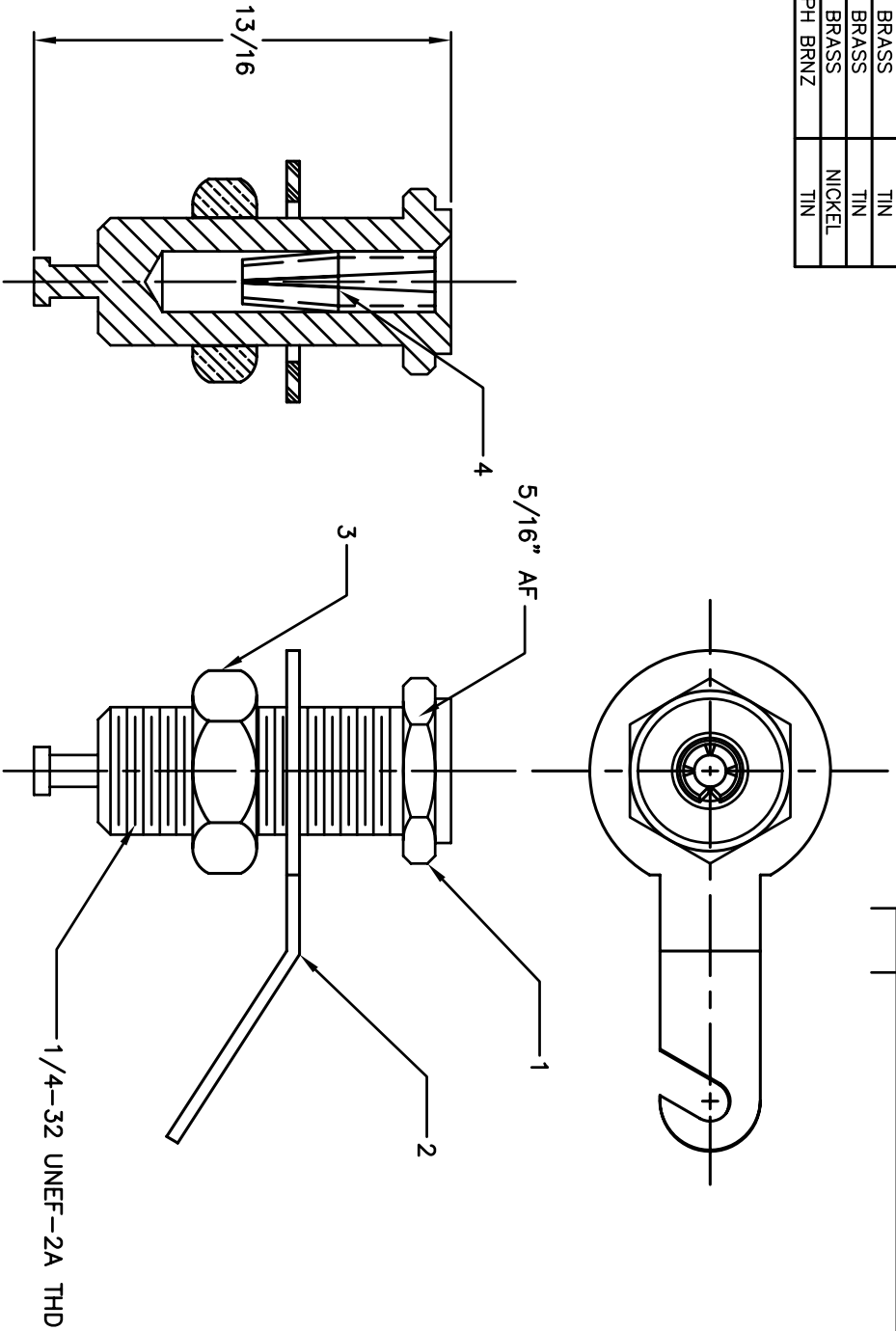


BILL OF MATERIALS				
DET.	QTY.	DESCRIPTION	MATERIAL	PLATING
1	1	BODY	BRASS	TIN
2	1	LUG	BRASS	TIN
3	1	NUT	BRASS	NICKEL
4	1	CONTACT	PH BRNZ	TIN

REVISIONS		REVISED DATE	APPR
SYM	DESCRIPTION		



THIS DRAWING AND THE INFORMATION THEREIN IS THE PROPERTY OF ABBATRON, LLC. ANY REPRODUCTION THEREOF IS PROHIBITED.

MATERIAL: SEE BOM		FINISH: SEE BOM		HEAT TREAT: ---	
DIMENSIONAL TOLERANCES UNLESS OTHERWISE SPECIFIED		TITLE: 107		Electronic Connectors and Hardware	
XX	XXX	XXX	XXX	13680 S. MOSERTOWN RD	
---	---	---	---	MEADVILLE, PA 16335	
FRACTIONS	ANGLES	SCALE	DRAWN: T. LORD	DATE: 6/12/06	SIZE: A
---	---	4:1	CHECKED: T. LORD	DATE: 6/12/06	DRAWING NUMBER: SD-107
SURFACE FINISH: 125		.002	APPROVED: T. LORD	DATE: 6/12/06	ISSUE: D

ABBATRON

Electronic Connectors and Hardware
13680 S. MOSERTOWN RD
MEADVILLE, PA 16335