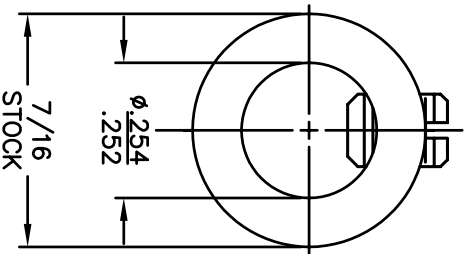
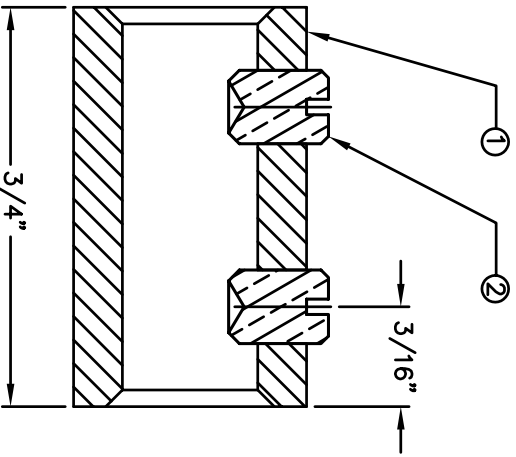


BILL OF MATERIALS				
DET.	QTY.	DESCRIPTION	MATERIAL	PLATING
1	1	BODY	BRASS	NICKEL
2	2	SCREW	STEEL	TIN

REVISIONS		
SYM	DESCRIPTION	REVISED DATE APPR



NOTE:  
PACKAGED UNASSEMBLED

THIS DRAWING AND THE INFORMATION THEREIN IS THE PROPERTY OF ABBATRON, LLC. ANY REPRODUCTION THEREOF IS PROHIBITED.

MATERIAL: SEE BOM	FINISH: SEE BOM	HEAT TREAT: ---
DIMENSIONAL TOLERANCES UNLESS OTHERWISE SPECIFIED .XX .XXX .XXX .XXX FRACTIONS ANGLES SCALE --- 4:1		
TITLE: 120 SHAFT COUPLER 1/4"		DRAWN: T. LORD DATE: 3/15/06 CHECKED: T. LORD DATE: 3/15/06 APPROVED: T. LORD DATE: 3/15/06
<b>ABBATRON</b> Electronic Connectors and Hardware 13680 S. MOSERTOWN RD MEADVILLE, PA 16335		SIZE: A DRAWING NUMBER: SD: 120 ISSUE: C