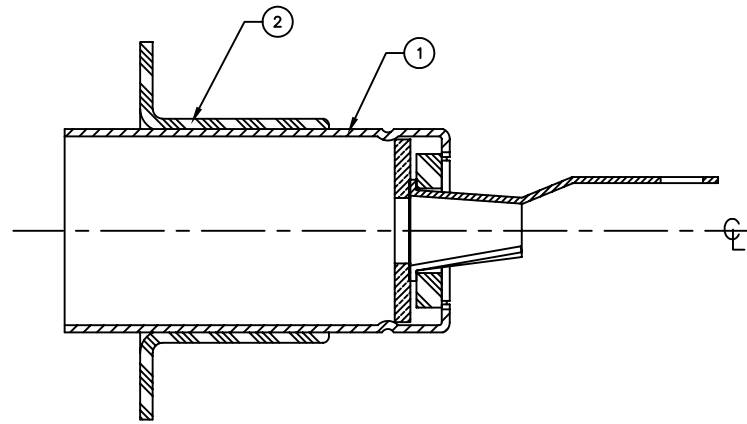
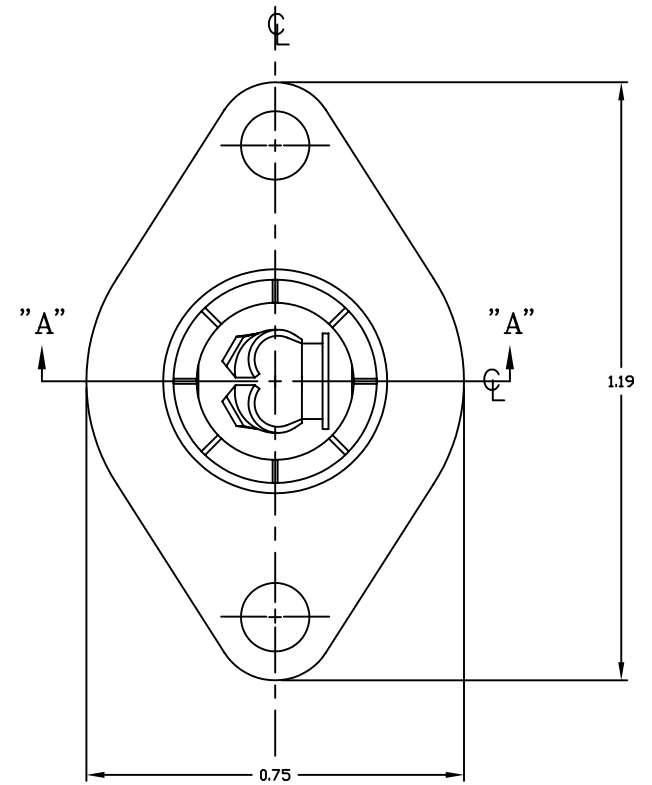
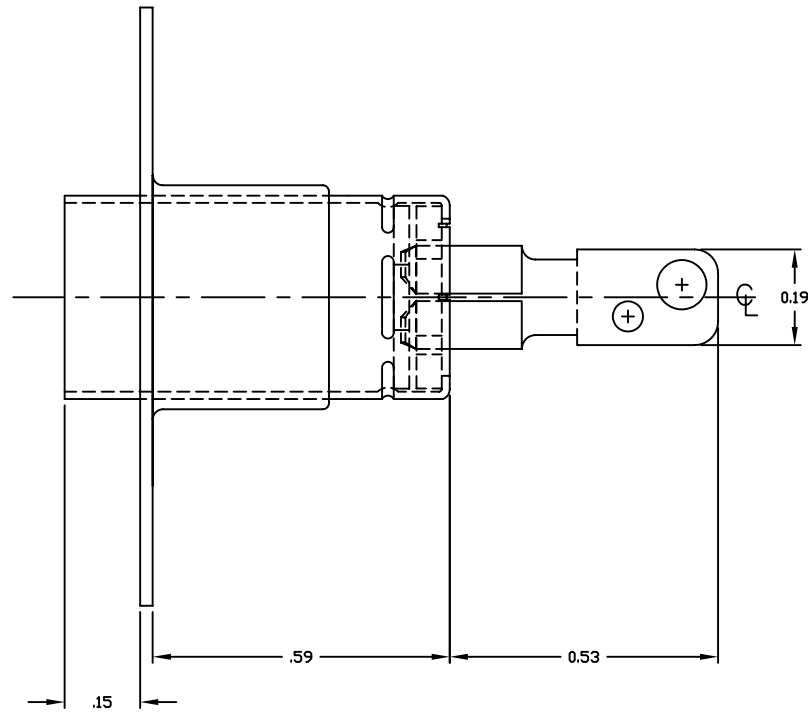


REVISIONS			
SYM	DESCRIPTION	REVISED BY	DATE APPR



SECTION "A-A"



COMPONENT LIST				
DET. QTY.	DESCRIPTION	MATERIAL	PLATING	
1	1	ANTENNA JACK	SEE DWG. NO. 1235	BRIGHT TIN
2	1	FLANGE (LONG)	1008 STEEL	BRIGHT TIN

MATERIAL "SEE TABLE"	FINISH "SEE TABLE"	ABBATRON Electronic Connectors and Hardware 632 Arch Street, Meadville, Pa. 16335	
DIMENSIONAL TOLERANCES UNLESS OTHERWISE SPECIFIED .XX .XXX .XXXX --- --- --- FRACTIONS ANGLES SCALE 5:1			
TITLE 1207 ANTENNA JACK ASSEMBLY		DRAWN: B.FRANKLIN	DATE 2-4-92
HEAT TREAT PLDT SCALE: 1=1		CHECKED: E. MCKINNEY	DATE 2-11-92
APPROVED: D. MILLER		DATE 2-11-92	
SIZE	DRAWING NUMBER	ISSUE	
C	SD-1207	C	