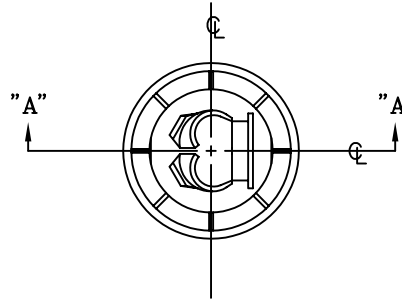
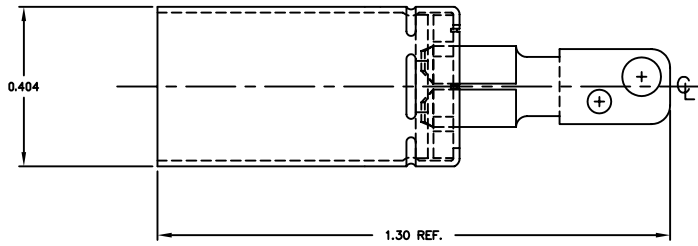
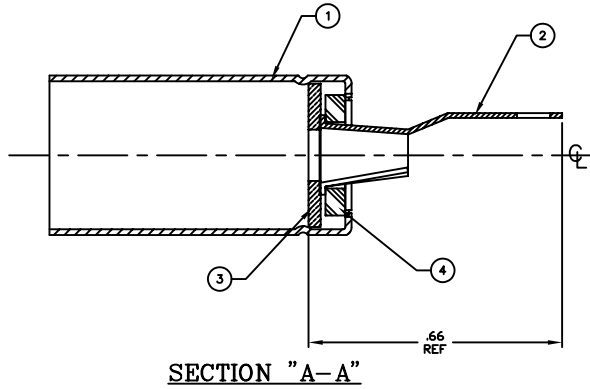


REVISIONS			
SYM	DESCRIPTION	DATE	APPR



COMPONENT LIST			
DET. QTY.	DESCRIPTION	MATERIAL	
1	1	SHELL	.016 STEEL
2	1	CONTACT	.012 BRASS
3	1	WASHER	1/32 HST
4	1	WASHER	G-10

MATERIAL "SEE TABLE"		FINISH TIN		<b>ABBATRON</b> Electronic Connectors and Hardware 632 Arch Street, Meadville, Pa. 16335	
DIMENSIONAL TOLERANCES UNLESS OTHERWISE SPECIFIED		TITLE			
FRAC	DEC	DEC	DEC	1235 ANTENNA JACK ASSEMBLY	
±.01	±.005				
FRAC	ANGLES	SCALE		DRAWN BY T. LORD DATE 3/12/04 CHECKED T. LORD DATE 3/12/04 APPROVED T. LORD DATE 3/12/04	
		5X			
HEAT TREAT		SIZE		DRAWING NUMBER	ISSUE
PLAT SCALE 1=1		C		SD1235	B