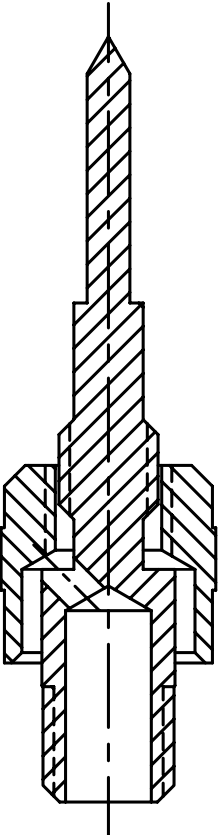
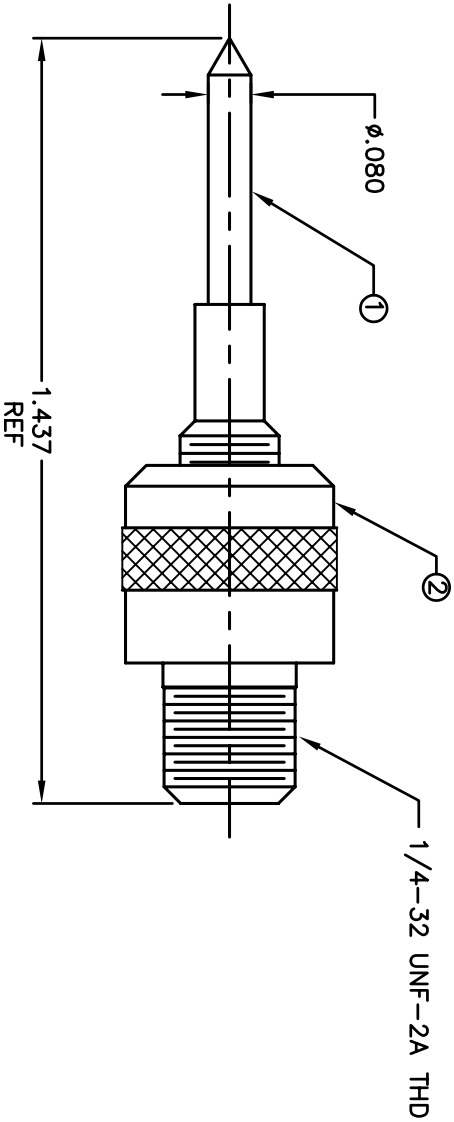


BILL OF MATERIALS				
DET.	QTY.	DESCRIPTION	MATERIAL	PLATING
1	1	BODY	BRASS	NICKEL
2	1	SLEAVE	BRASS	NICKEL

REVISIONS		REVISED DATE	APPR
SYM	DESCRIPTION		



MATERIAL: SEE BOM		FINISH: SEE BOM		HEAT TREAT: ---	
DIMENSIONAL TOLERANCES UNLESS OTHERWISE SPECIFIED		TITLE: 124		Electronic Connectors and Hardware	
XX	.XXX	XXX	XXX	13680 S. MOSERTOWN RD	
---	---	---	---	MEADVILLE, PA 16335	
---	---	---	---	SIZE	
---	---	---	---	DRAWING NUMBER	
---	---	---	---	SD: 124	
---	---	---	---	ISSUE	
SURFACE FINISH: 125		.002		A	
DRAWN: T. LORD		DATE: 4/13/06		A	
CHECKED: T. LORD		DATE: 4/13/06		A	
APPROVED: T. LORD		DATE: 4/13/06		A	

THIS DRAWING AND THE INFORMATION THEREIN IS THE PROPERTY OF ABBATRON, LLC AND REPRODUCTION THEREOF IS PROHIBITED.