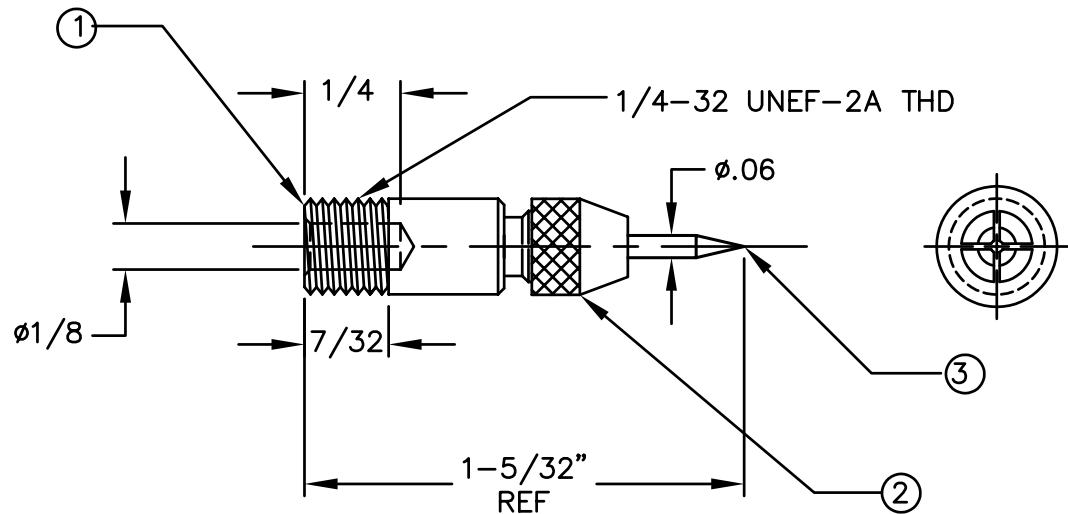


REVISIONS				
SYM	DESCRIPTION	REVISED BY	DATE	APPR
(A)	REDRAWN FROM 128 NO REV	TPL	4/6/04	TPL



DET	QTY	DESC	MATERIAL	PART#
1	1	NEEDLE CHUCK	BRASS	128-15
2	1	CHUCK COLLAR	BRASS	128-16
3	1	NEEDLE	BRASS	613-16

MATERIAL: 360 1/2 HARD BRASS			FINISH: NICKEL CODE 10		<h1 style="text-align: center;">ABBATRON</h1> <p style="text-align: center;"><b>Electronic Connectors and Hardware</b></p> <p style="text-align: center;"><b>632 Arch Street, Meadville, Pa. 16335</b></p>										
DIMENSIONAL TOLERANCES UNLESS OTHERWISE SPECIFIED			TITLE: 128 NEEDLE CHUCK ASSEMBLY					<table border="1"> <tr> <td>SIZE</td> <td>DRAWING NUMBER</td> <td>ISSUE</td> </tr> <tr> <td>A</td> <td>SD-128</td> <td>A</td> </tr> </table>		SIZE	DRAWING NUMBER	ISSUE	A	SD-128	A
SIZE	DRAWING NUMBER	ISSUE													
A	SD-128	A													
.XX	.XXX	.XXXX													
±.01	±.005	---													
FRACTIONS	ANGLES	SCALE	DRAWN: T. LORD    DATE: 4/6/04 CHECKED: T. LORD    DATE: 4/6/04 APPROVED: T. LORD    DATE: 4/6/04												
±1/64	±1°	2:1													
HEAT TREAT:	NA														
PLOT SCALE:	1:1														