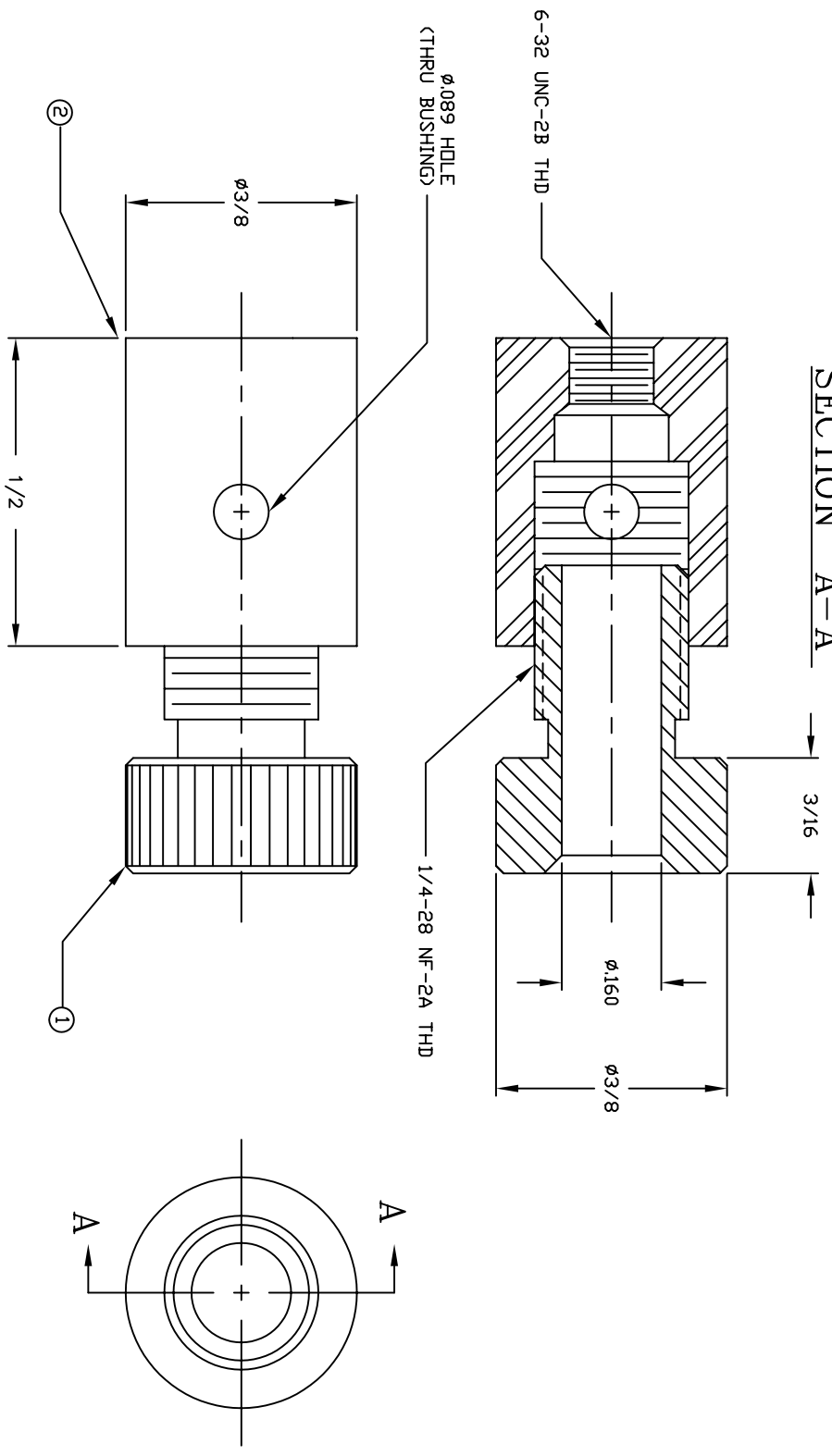


REVISIONS		REVISED BY	DATE	APPR
SYM	DESCRIPTION			
B	REDAWN ON CAD FROM REV A	TPL	11/11/03	TPL

SECTION "A-A"



BILL OF MATERIAL

DET	QTY	DESC	MATL	PLATE
1	1	SCREW	BRASS	NICKEL
2	1	BUSHING	BRASS	NICKEL

MATERIAL "SEE TABLE"	FINISH	"SEE TABLE"	TITLE	DATE	SIZE	DRAWING NUMBER	ISSUE
DIMENSIONAL TOLERANCES UNLESS OTHERWISE SPECIFIED			136 ALL METAL SCREW-TYPE BINDING POST ASSY.	DATE 11/11/03	B	SD: 136	B
XX	XXX	XXXX		CHECKED T. LORD	DATE 11/11/03		
FRACTIONS	ANGLES	SCALE		APPROVED T. LORD	DATE 11/11/03		
HEAT TREAT		5X	DRAWN T. LORD	DATE 11/11/03			
PLOT SCALE	1=1						

ABBATRON
Electronic Connectors and Hardware
13680 S. MOSIERTOWN RD
MEADVILLE, PA 16335