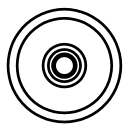
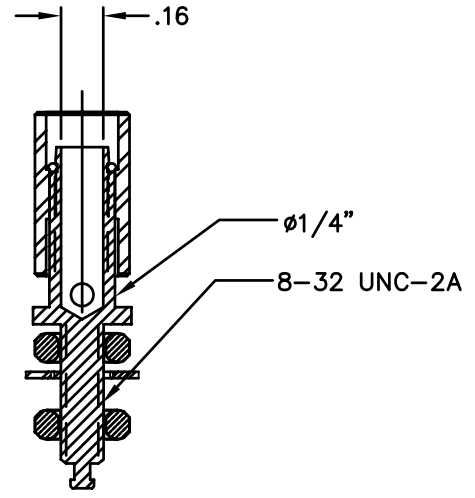
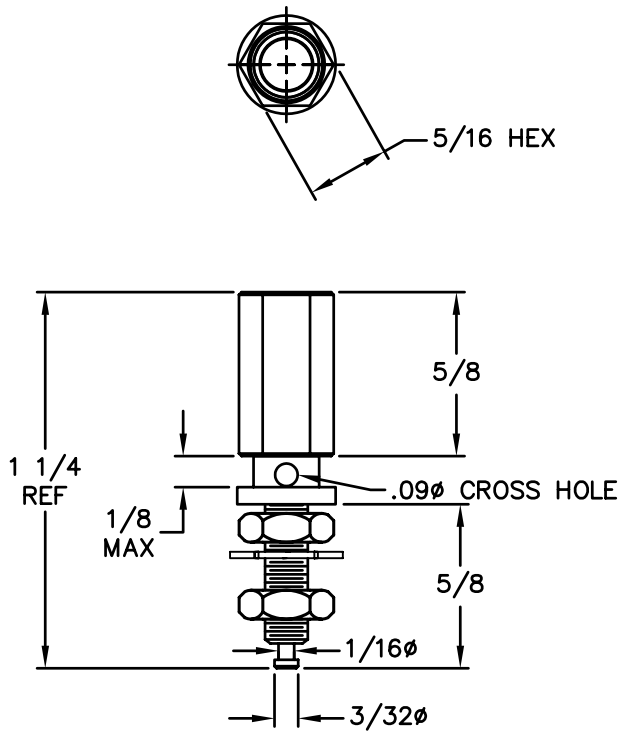


REVISIONS				
SYM	DESCRIPTION	REVISED BY	DATE	APPR
Ⓒ	5/16 HEX WAS 5/16 OCTOGON 137AC HAS BEEN REPLACED BY 137	TPL	4/03	TPL



MATERIAL: SEE BOM			FINISH: SEE BOM			<h1>ABBATRON</h1> <p>Electronic Connectors and Hardware 632 Arch Street, Meadville, Pa. 16335</p>											
DIMENSIONAL TOLERANCES UNLESS OTHERWISE SPECIFIED			TITLE: 137						<table border="1"> <tr> <th>SIZE</th> <th>DRAWING NUMBER</th> <th>ISSUE</th> </tr> <tr> <td>B</td> <td>SD137</td> <td>G</td> </tr> </table>			SIZE	DRAWING NUMBER	ISSUE	B	SD137	G
SIZE	DRAWING NUMBER	ISSUE															
B	SD137	G															
.XX	.XXX	.XXXX	BINDING POST														
±.015	±.005	---	DRAWN: T. LORD DATE: 4/30/03														
FRACTIONS	ANGLES	SCALE	CHECKED: T. LORD DATE: 4/30/03														
±1/64	±1°	2:1	APPROVED: T. LORD DATE: 4/30/03														
HEAT TREAT: ---																	
PLOT SCALE: 1=1																	