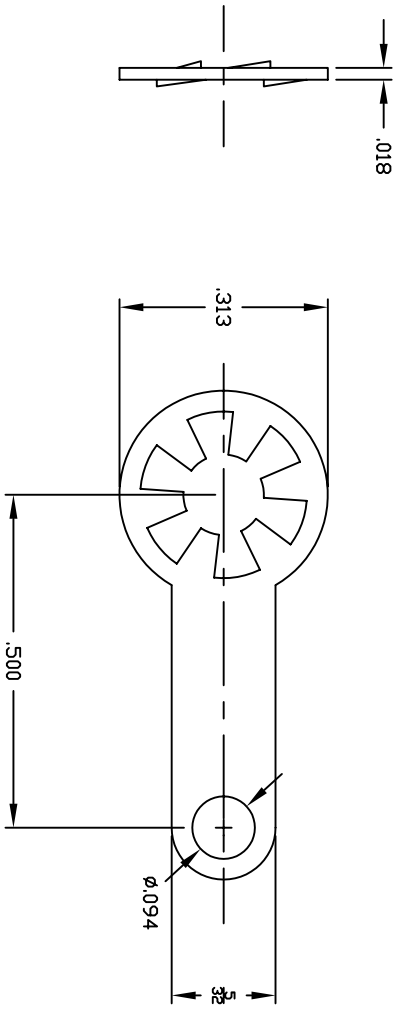


REVISIONS		REVISED BY	DATE	APPR
SYM	DESCRIPTION			



LUG TABLE			
PART NO.	QTY	"A" DIM.	
1411-04	4	.120	
1411-06	6	.144	
1411-08	8	.169	

MATERIAL BRASS 260 1/2 HARD		FINISH	ELECTRO TIN
DIMENSIONAL TOLERANCES UNLESS OTHERWISE SPECIFIED		TITLE	
.XX	.XXX	1411-XX SOLDER LUG	
---	---	DRAWN: T. LORD	
---	---	CHECKED: T. LORD	
---	---	APPROVED: T. LORD	
HEAT TREAT	---	DATE 2/1/05	DATE 2/1/05
PLT SCALE: 1=1	5X	SIZE	DRAWING NUMBER
		B	SD-1411
			ISSUE

ABBATRON
Electronic Connectors and Hardware
632 Arch Street, Meadville, Pa. 16335