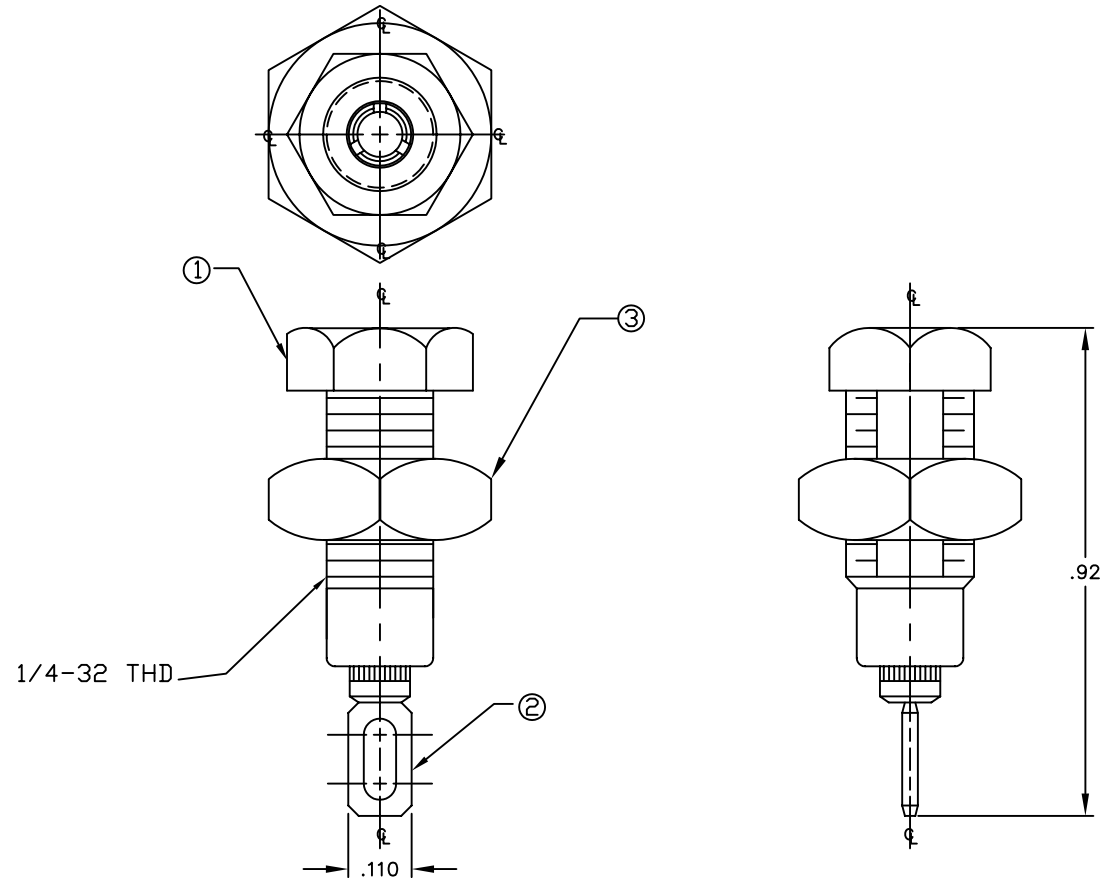
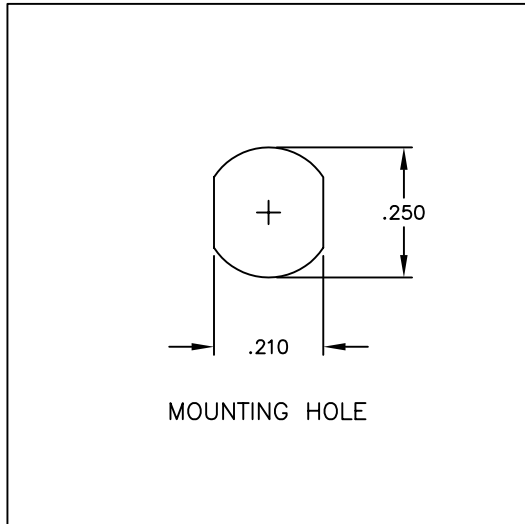


FINISH ASSEMBLY PART NO.	COLOR
1506-101	WHITE
1506-102	RED
1506-103	BLACK
1506-104	GREEN
1506-105	BLUE
1506-106	ORANGE
1506-107	YELLOW
1506-108	BROWN
1506-112	PURPLE
1506-113	GRAY

REVISIONS				
SYM	DESCRIPTION	REVISED BY	DATE	APPR



ITEM	QTY.	DESCRIPTION	MATERIAL	PLATING
1	1	JACK BODY-COLOR AS REQD.	LEXAN 940	---
2	1	CONTACT	PH.BRZ.	TIN
3	1	HEX NUT	BRASS	NICKEL

MATERIAL "SEE TABLE"			FINISH "SEE TABLE"			<b>ABBATRON</b> Electronic Connectors and Hardware 632 Arch Street, Meadville, Pa. 16335						
DIMENSIONAL TOLERANCES UNLESS OTHERWISE SPECIFIED			TITLE									
.XX	.XXX	.XXXX	1506-(XXX) INSULATED TIP JACK ASSEMBLY			DRAWN	J. TEASDALE	DATE	02/25/93	SIZE	DRAWING NUMBER	ISSUE
---	---	---										
FRACTIONS	ANGLES	SCALE										
---	---	4X										
HEAT TREAT ---			CHECKED			DATE			B	SD-1506	C	
PLOT SCALE 1=1			APPROVED			DATE						