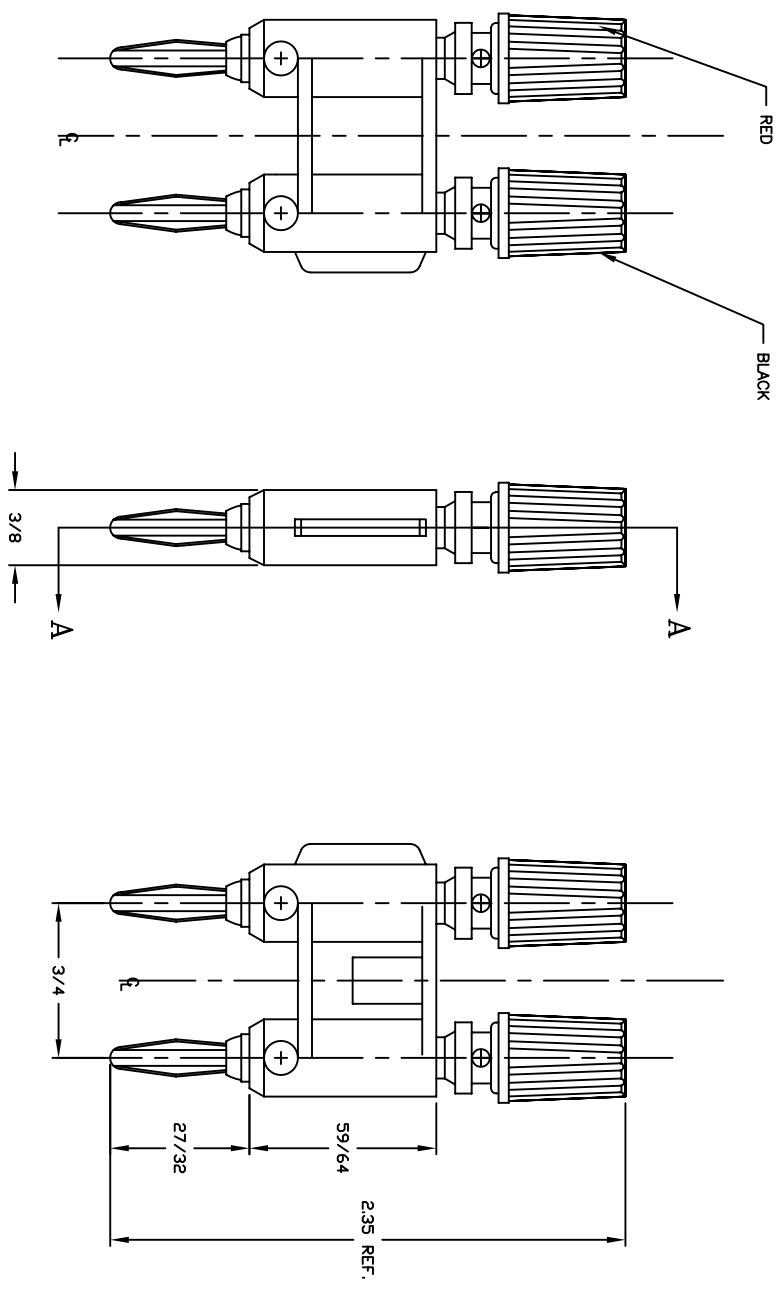
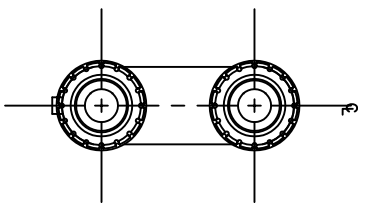


REVISIONS		REVISED DATE	APPR
SYM	DESCRIPTION		



BILL OF MATERIALS

DET.	QTY.	DESCRIPTION	MATERIAL	FINISH
1	1	MOLD COMPOUND	ABS-FR	BLACK
2	1	CAP - RED	LEXAN	-
3	1	CAP - BLACK	LEXAN	-
4	2	BODY / SPRING	SEE DWG	NICKEL
5	1	INSERT	BRASS	NICKEL
6	1	RING	SS	PASSIVATE

MATERIAL	"SEE TABLE"	FINISH	"SEE TABLE"
DIMENSIONAL TOLERANCES			
UNLESS OTHERWISE SPECIFIED			
.XX	.XX	.XX	.XX
.XXX	.XXX	.XXX	.XXX
FRACTIONS	ANGLES	SCALE	
---	---	2:1	
HEAT TREAT		DRAWN	M. WILLEY
		CHECKED	
		DATE	9-5-95
		DATE	
PLAT SCALE	1=1	APPROVED	

TITLE 1682
BANANA PLUG / BINDING POST
ADAPTOR ASSEMBLY

ABBATRON
Electronic Connectors and Hardware
13680 S. NOSPERTOWN RD
MEADVILLE, PA 16335

SIZE C DRAWING NUMBER SD: 1682 ISSUE B