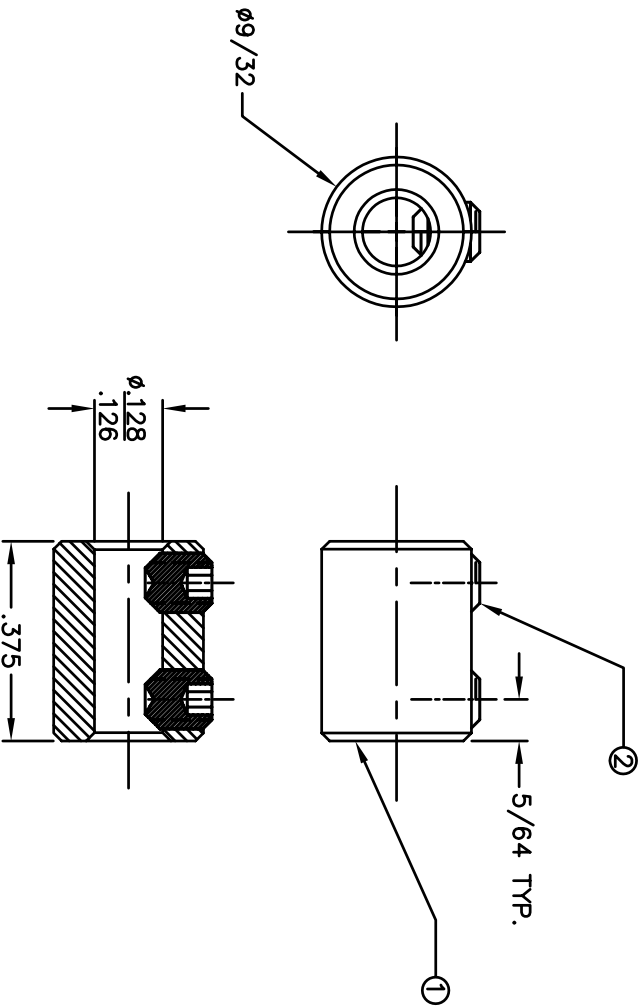


BILL OF MATERIALS				
DET.	QTY.	DESCRIPTION	MATERIAL	PLATING
1	1	COUPLER	BRASS	NICKEL
2	2	SET SCREW	STEEL	ZINC

REVISIONS		REVISED DATE	APPR
SYM	DESCRIPTION		



THIS DRAWING AND THE INFORMATION THEREIN IS THE PROPERTY OF ABBATRON, LLC. ANY REPRODUCTION THEREOF IS PROHIBITED.

MATERIAL:	SEE BOM	FINISH:	SEE BOM	HEAT TREAT:	---
DIMENSIONAL TOLERANCES UNLESS OTHERWISE SPECIFIED	XX	XXX	XXXX		
FRACTIONS	---	---	---		
ANGLES	---	---	---		
SCALE	4:1				
SURFACE FINISH	125				
	.002				
DRAWN:	T. LORD	DATE:	4/17/06	SIZE	A
CHECKED:	T. LORD	DATE:	4/17/06	DRAWING NUMBER	SD: 180
APPROVED:	T. LORD	DATE:	4/17/06	ISSUE	B
ABBATRON			Electronic Connectors and Hardware 13680 S. MOSERTOWN RD MEADVILLE, PA 16335		