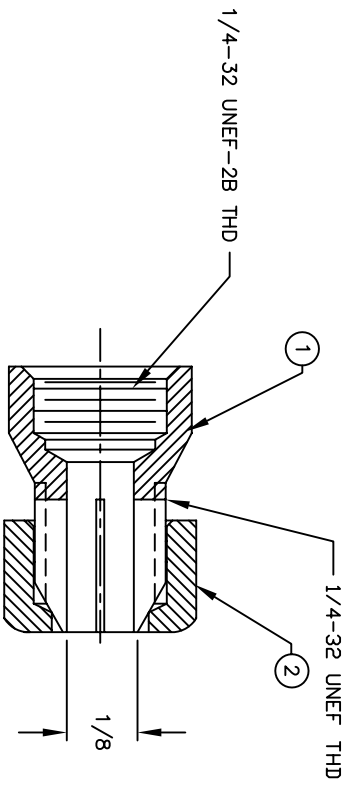
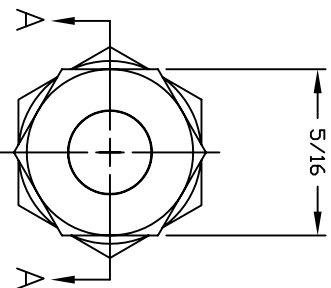
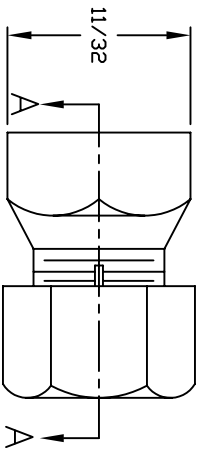


BILL OF MATERIALS				
DET.	QTY.	DESCRIPTION	MATERIAL	FINISH
1	1	SHAFT BUSHING	BRASS	NICKEL
2	1	SHAFT LOCK NUT	BRASS	NICKEL

REVISIONS				
SYM	DESCRIPTION	REVISED BY	DATE	APPR



SECTION A-A



MATERIAL: "SEE TABLE"		FINISH: "SEE TABLE"	
DIMENSIONAL TOLERANCES UNLESS OTHERWISE SPECIFIED		TITLE: 183	
XX	.XXX	SHAFT LOCK ASSY.	
---	----	Electronic Connectors and Hardware	
FRACTIONS	ANGLES	632 Arch Street, Meadville, Pa. 16335	
---	----	4:1	
HEAT TREAT:	---	DRAWN: ED KLINE	DATE: 3-12-98
PLOT SCALE: 1=1	---	CHECKED:	DATE:
	---	APPROVED:	DATE:
<b>ABBATRON</b>		SIZE	DRAWING NUMBER
		B	SD-183
		ISSUE	A