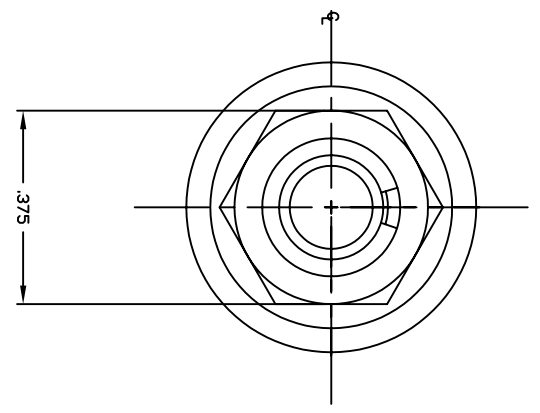
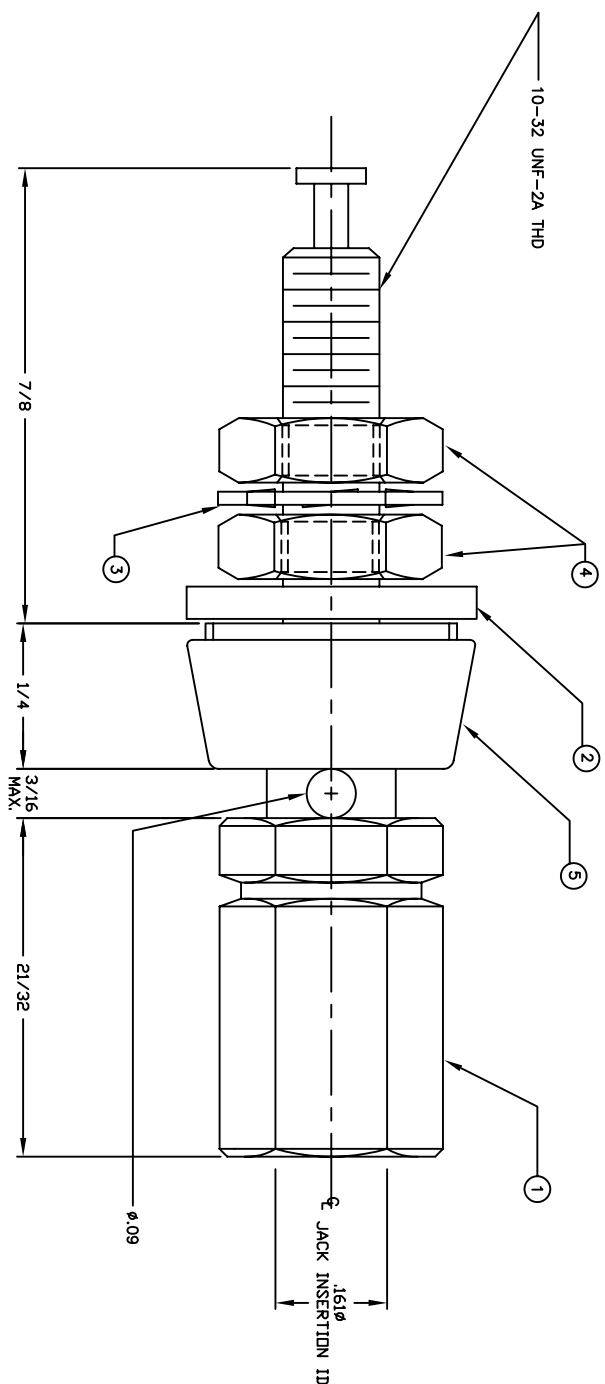
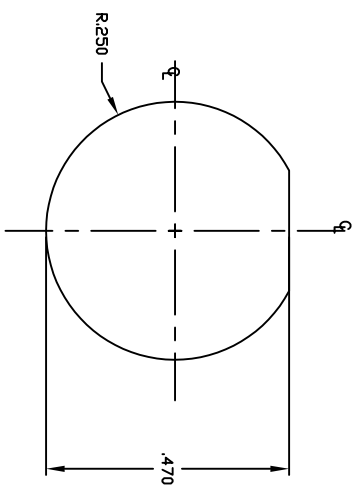


REVISIONS		REVISED DATE	APPR
SYM	DESCRIPTION		



NOTE: 1/16 MIN
3/8 MAX
PANEL

DET.	QTY.	DESCRIPTION	MATERIAL	PLATING
1	1	B/P SUB-ASSY	BRASS	SEE DWG
2	1	WASHER	BRASS	NICKEL
3	1	LOCKWASHER	STEEL	ZINC
4	2	HEX NUTS	BRASS	NICKEL
5	1	WASHER	BRASS	NICKEL

BILL OF MATERIALS

MATERIAL "SEE TABLE"		FINISH "SEE TABLE"		ABBATRON	
DIMENSIONAL TOLERANCES		TITLE		Electronic Connectors and Hardware	
UNLESS OTHERWISE SPECIFIED		1835		632 Arch Street, Meadville, Pa. 16335	
.XX	.XX	BINDING POST		DATE	12/3/02
.XXX	.XXX			CHECKED	T. LORD
FRACTIONS	ANGLES			DATE	12/3/02
---	---			DRAWN	T. LORD
---	---			DATE	12/3/02
---	---			APPROVED	T. LORD
HEAT TREAT	SCALE			SIZE	C
---	5:1			DRAWING NUMBER	SD-1835
PLAT SCALE	1:1			ISSUE	F