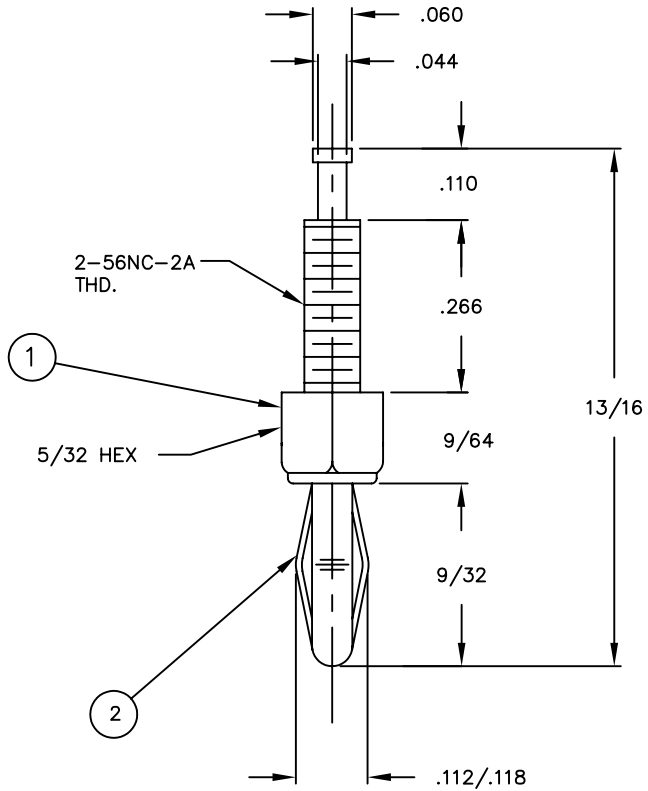


DET.	QTY.	DESCRIPTION	MATERIAL
1	1	BANANA PLUG- BODY	BRASS
2	1	BAN. PLG. SPRING-CONT.	BE-CU

REVISIONS				
SYM	DESCRIPTION	REVISED BY	DATE	APPR



MATERIAL			FINISH		<b>ABBATRON</b>				
DIMENSIONAL TOLERANCES UNLESS OTHERWISE SPECIFIED			NICKEL						
.XX	.XXX	.XXXX	TITLE 192 SUB-MINIATURE BANANA PLUG ASSEMBLY		Electronic Connectors and Hardware 632 Arch Street, Meadville, Pa. 16335				
----	----	----							
FRACTIONS	ANGLES	SCALE							
----	----	5X	DRAWN	T. LORD	DATE	9/13/04	SIZE	DRAWING NUMBER	ISSUE
HEAT TREAT	----		CHECKED	T. LORD	DATE	9/13/04	B	SD-192	C
PLOT SCALE	1=1		APPROVED	T. LORD	DATE	9/13/04			