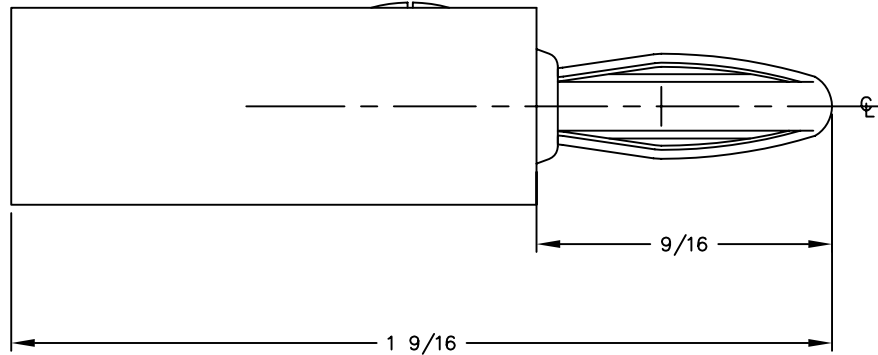
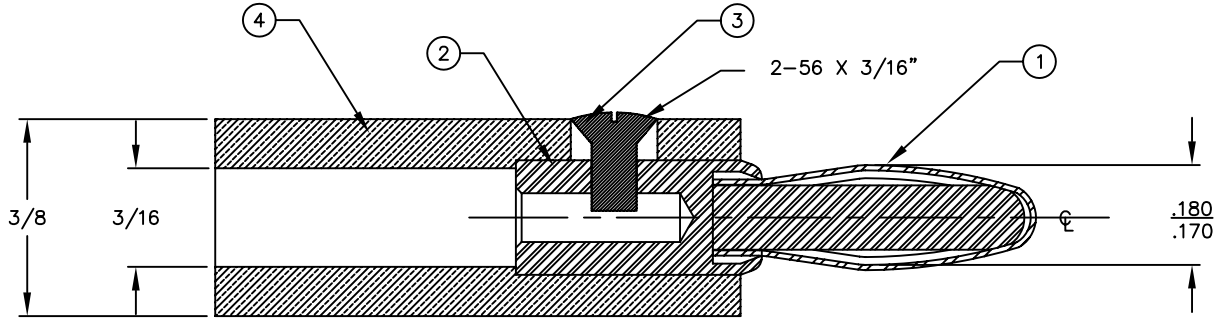


BILL OF MATERIALS				
DET.	QTY.	DESCRIPTION	MATERIAL	PLATING
1	1	SPRING CONTACT	BE CU	NICKEL
		BODY	BRASS	NICKEL
3	1	SCREW	BRASS	NICKEL
4	1	HANDLE	---	---

REVISIONS				
SYM	DESCRIPTION	REVISED BY	DATE	APPR



BANANA PLUG ASSEMBLY	
PART NO.	COLOR
204-101	WHITE
204-102	RED
204-103	BLACK
204-104	BLUE
204-105	GREEN
204-107	YELLOW

MATERIAL "SEE TABLE"			FINISH "SEE TABLE"			ABBATRON Electronic Connectors and Hardware 632 Arch Street, Meadville, Pa. 16335		
DIMENSIONAL TOLERANCES UNLESS OTHERWISE SPECIFIED			TITLE 204-10X BANANA PLUG ASSEMBLY					
.XX	.XXX	.XXXX	DRAWN: S. GERHOLD DATE 8-9-95			SIZE B	DRAWING NUMBER 204	ISSUE C
---	---	---						
FRACTIONS	ANGLES	SCALE	CHECKED: DATE					
---	---	4:1	APPROVED: DATE					
HEAT TREAT								
PLOT SCALE: 1:1								