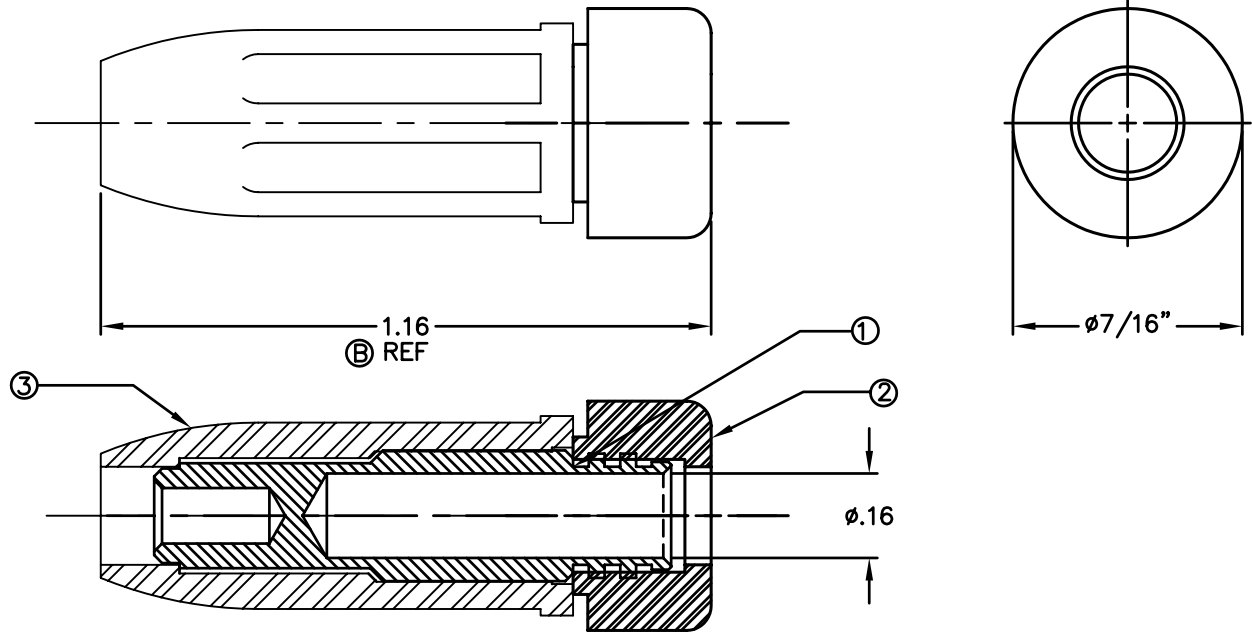


BILL OF MATERIAL				
DET	QTY	DESC	MATERIAL	FINISH
1	1	BODY	BRASS	NICKEL
2	1	CAP	NYLON	---
3	1	HANDLE	NYLON	---

REVISIONS				
SYM	DESCRIPTION	REVISED BY	DATE	APPR

PART#	COLOR
251-102	RED
251-103	BLACK



MATERIAL: SEE BOM		FINISH: NICKEL		<h1>ABBATRON</h1> <p>Electronic Connectors and Hardware 632 Arch Street, Meadville, Pa. 16335</p>				
DIMENSIONAL TOLERANCES UNLESS OTHERWISE SPECIFIED			TITLE: 251					
.XX	.XXX	.XXX	IN-LINE BANANA JACK					
±.015	±.005	---	-					
FRACTIONS		ANGLES	SCALE	DRAWN: T. LORD		DATE: 3/29/04		
±1/64	±1°	4:1	CHECKED: T. LORD		DATE: 3/29/04			
HEAT TREAT: ---			APPROVED: T. LORD		DATE: 3/29/04			
PLOT SCALE: 1=1			SIZE: B	DRAWING NUMBER: 251	ISSUE: B			