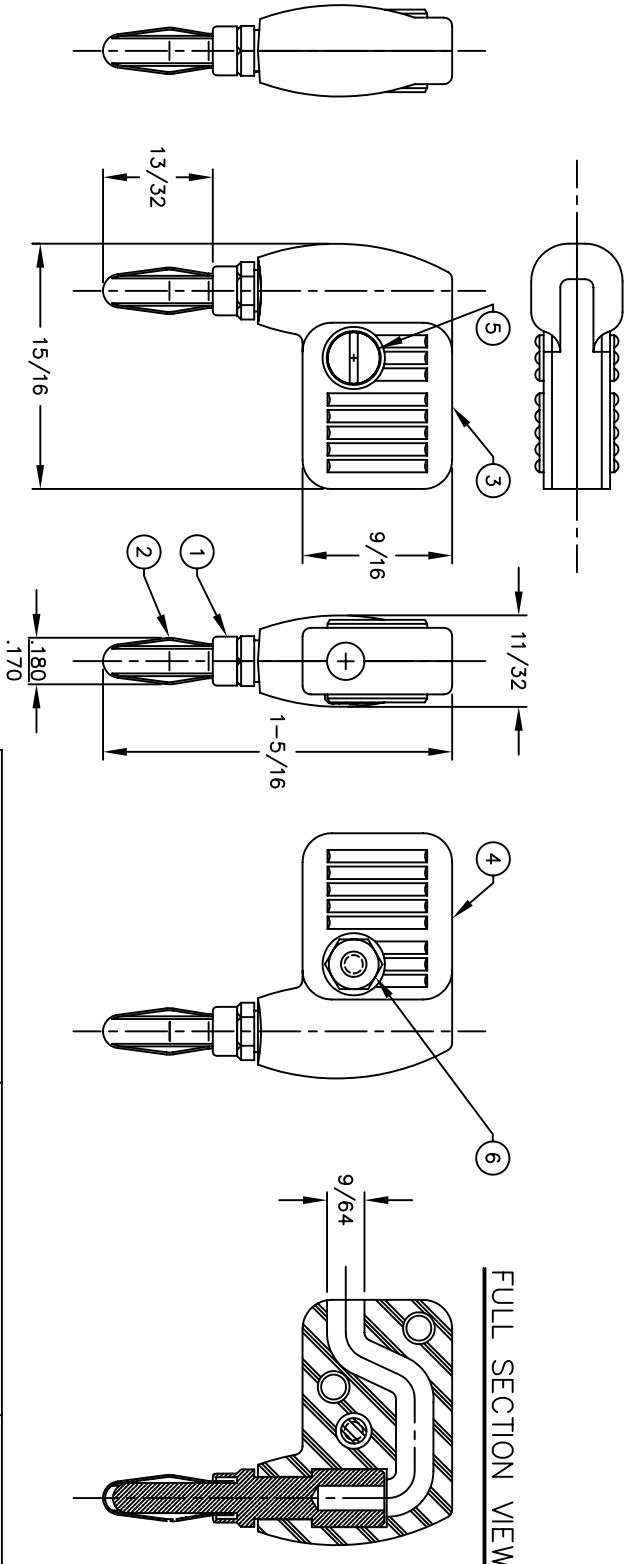


BILL OF MATERIALS				
DET.	QTY.	DESCRIPTION	MATERIAL	FINISH
1	1	BODY	BRASS	NICKEL
2	1	CONTACT	BERYLLIUM COPPER	NICKEL
3	1	HANDLE (MALE)	ABS-FR	-
4	1	HANDLE (FEMALE)	ABS-FR	-
5	1	SCREW	STEEL	NICKEL
6	1	NUT	STEEL	NICKEL

REVISIONS				
SYM	DESCRIPTION	REVISED BY	DATE	APPR



RIGHT ANGLE BANANA PLUG			
PART NO.	COLOR	CID#	
255-102	RED	AA55469/4-02	
255-103	BLACK	AA55469/4-01	

MATERIAL: SEE TABLE	FINISH: SEE TABLE	TITLE: 255		ABBATRON Electronic Connectors and Hardware 632 Arch Street, Meadville, Pa. 16335
DIMENSIONAL TOLERANCES UNLESS OTHERWISE SPECIFIED		XX	.XXX	
FRACTIONS		---	---	
ANGLES		---	---	
SCALE		2:1		
HEAT TREAT: ---	DRAWN: E. MCKINNEY	DATE: 03-18-99	SIZE: B	DRAWING NUMBER: SD: 255
PLOT SCALE: 1=1	CHECKED: E. MCKINNEY	DATE: 03-18-99	ISSUE: A	
	APPROVED: ---	DATE: ---		