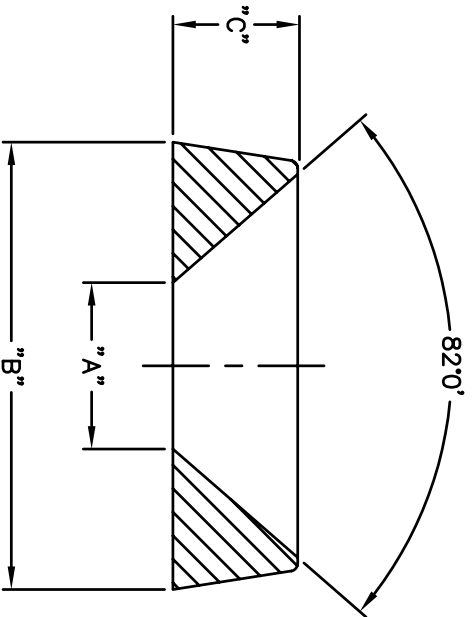


REVISIONS		REVISED	DATE	APPR
SYM	DESCRIPTION			

PART#	CLEARANCE	"A"	"B"	"C"
2687	#6	9/64	7/16	3/32
2688	#8	11/64	33/46	7/64
2689	#10	13/64	37/64	9/64
2690	#12	15/64	39/64	5/32
2691	1/4"	17/64	43/64	3/16



THIS DRAWING AND THE INFORMATION THEREIN IS THE PROPERTY OF ABBATRON, LLC. ANY REPRODUCTION THEREOF IS PROHIBITED.

MATERIAL: NYLON 6/6		FINISH: -	HEAT TREAT: ---
DIMENSIONAL TOLERANCES UNLESS OTHERWISE SPECIFIED		TITLE: 2687-2691	
XX	XXX	XXXX	NYLON CONTERSUNK FINISHING WASHERS
---	---	---	
FRACTIONS	ANGLES	SCALE	Electronic Connectors and Hardware 13680 S. MOSERTOWN RD MEADVILLE, PA 16335
---	---	NONE	
SURFACE FINISH: 125		DRAWN: T. LORD DATE: 7/21/09	
APPROVED: T. LORD DATE: 7/21/09		CHECKED: T. LORD DATE: 7/21/09	
SIZE: B	DRAWING NUMBER: SD: 2687-2691	ISSUE: B	

ABBATRON