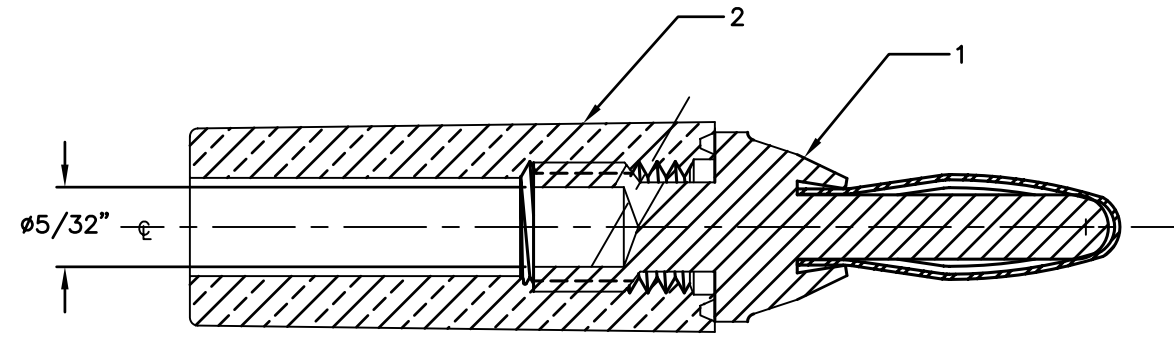


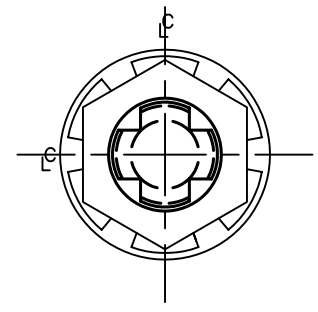
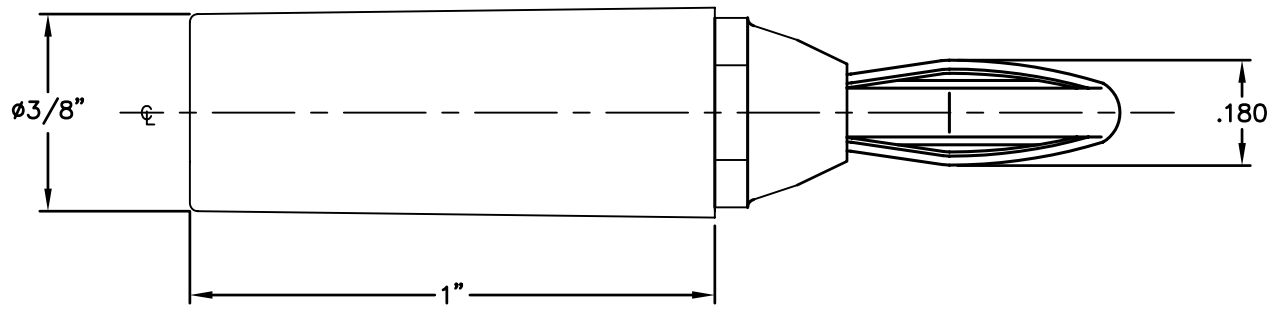
| BILL OF MATERIALS | | | | |
|-------------------|------|-----------------|------------|---------|
| DET. | QTY. | DESCRIPTION | MATERIAL | PLATING |
| 1 | 1 | BANANA PLUG S/A | BRASS/BeCu | NICKEL |
| 2 | 1 | HANDLE | NYLON | ---- |

| REVISIONS | | | | |
|-----------|---------------------------|------------|---------|------|
| SYM | DESCRIPTION | REVISED BY | DATE | APPR |
| B | REDRAWN IN CAD FROM REV A | TPL | 12/9/05 | TPL |

| PART# | COLOR |
|---------|--------|
| 295-101 | WHITE |
| 295-102 | RED |
| 295-103 | BLACK |
| 295-104 | GREEN |
| 295-105 | BLUE |
| 295-107 | YELLOW |



FULL SECTION



THIS DRAWING AND THE INFORMATION THEREIN IS THE PROPERTY OF ABBATRON, LLC AND ALL UNAUTHORIZED USE OR REPRODUCTION THEREOF IS PROHIBITED.

| | | | | | |
|---|---------|-------------------|-----------------------------------|-------------|------|
| MATERIAL: | SEE BOM | FINISH: | SEE BOM | HEAT TREAT: | ---- |
| DIMENSIONAL TOLERANCES UNLESS OTHERWISE SPECIFIED | | TITLE: 295 SERIES | | | |
| .XX | .XXX | .XXX | BANANA PLUG/ INSULATED SOLDERLESS | | |
| ---- | ---- | ---- | DRAWN: T. LORD DATE: 12/9/05 | | |
| FRACTIONS | ANGLES | SCALE | CHECKED: T. LORD DATE: 12/9/05 | | |
| ---- | ---- | 4:1 | APPROVED: T. LORD DATE: 12/9/05 | | |
| SURFACE FINISH | | SIZE | | | |
| 125 | | A | | | |

| | | |
|---------------------------------------|-------|--|
| ABBATRON | | |
| Electronic Connectors and Hardware | | |
| 632 Arch Street, Meadville, Pa. 16335 | | |
| DRAWING NUMBER | ISSUE | |
| SD-295 | B | |