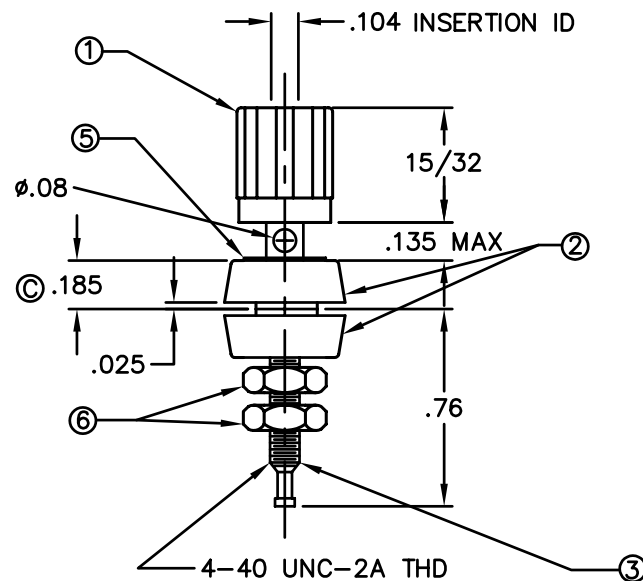


BILL OF MATERIAL				
DET	QTY	DESC	MATL	PLATE
1	1	CAP	NYLON	----
2	2	WASHER	NYLON	----
3	1	BODY	BRASS	GOLD
4*	1	INSERT	BRASS	GOLD
5	2	INSERT	BRASS	GOLD
6	2	NUT	BRASS	GOLD

*INTERNAL

NOTE:

PANEL THICKNESS: .050 MIN
.250 MAX



REVISIONS				
SYM	DESCRIPTION	REVISED BY	DATE	APPR

MATERIAL: SEE BOM			FINISH: SEE BOM			ABBATRON Electronic Connectors and Hardware 632 Arch Street, Meadville, Pa. 16335		
DIMENSIONAL TOLERANCES UNLESS OTHERWISE SPECIFIED			TITLE: 3015-10x SERIES MINIATURE BINDING POST					
.XX	.XXX	.XXX	DRAWN: T. LORD			DRAWING NUMBER: SD3015		
±.015	±.005	----	DATE: 10/13/03			ISSUE: C		
FRACTIONS	ANGLES	SCALE	CHECKED: T. LORD			DATE: 10/13/03		
±1/64	±1°	2:1	DRAWN: T. LORD			DATE: 10/13/03		
HEAT TREAT: ---			APPROVED: T. LORD			DATE: 10/13/03		
PLOT SCALE: 1=1								