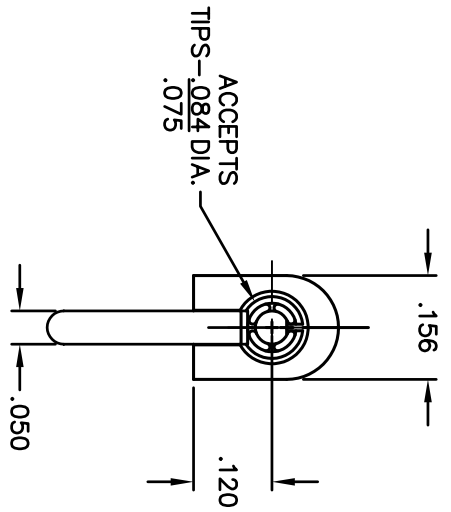
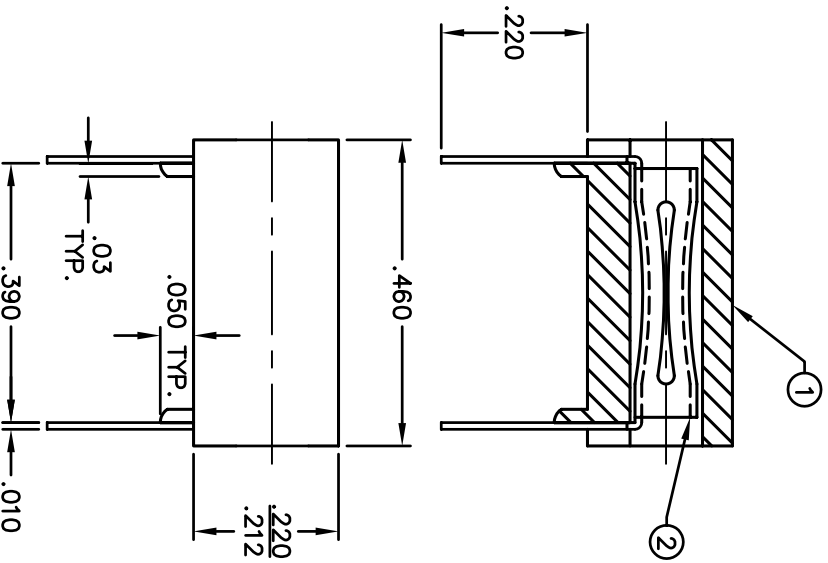


BILL OF MATERIALS				
DET.	QTY.	DESCRIPTION	MATERIAL	PLATING
1	1	HOUSING	NYLON	---
2	1	CONTACT	BERYLLIUM COPPER	GOLD

REVISIONS		SYM	DESCRIPTION	REVISED DATE	APPR



ASSEMBLY	
PART NO.	COLOR
321-101	WHITE
321-102	RED
321-103	BLACK
321-104	GREEN
321-105	BLUE
321-106	ORANGE
321-108	BROWN
321-112	VIOLET
321-113	GREY

MATERIAL: SEE TABLE		FINISH: SEE TABLE	
DIMENSIONAL TOLERANCES UNLESS OTHERWISE SPECIFIED		TITLE: 321 TEST JACK ASSEMBLY	
XX	XXX	XXXX	
FRACTIONS ANGLES SCALE		DRAWN: T. LORD DATE: 4/28/03	
---	---	5X	CHECKED: T. LORD DATE: 4/28/03
HEAT TREAT: ---		APPROVED: T. LORD DATE: 4/28/03	
PLOT SCALE: 1=1		SIZE: B	DRAWING NUMBER: 321
		ISSUE: C	

ABBATRON
 Electronic Connectors and Hardware
 632 Arch Street, Meadville, Pa. 16335