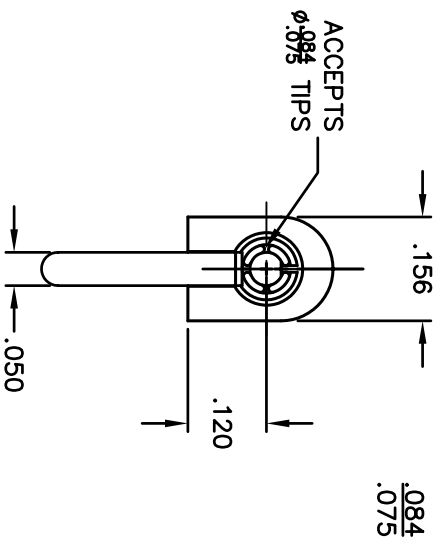
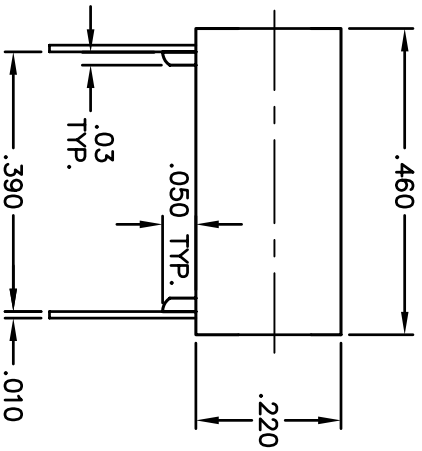
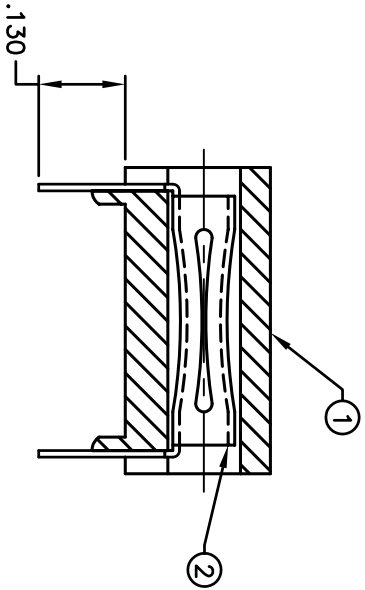


BILL OF MATERIALS				
DET.	QTY.	DESCRIPTION	MATERIAL	PLATING
1	1	HOUSING	NYLON	---
2	1	CONTACT	BERYLLIUM COPPER	GOLD

REVISIONS		REVISED DATE	APPR
SYM	DESCRIPTION		



TEST JACK ASSEMBLY	
PART NO.	FINISH
325-101	WHITE
325-102	RED
325-103	BLACK
325-104	GREEN
325-105	BLUE
325-106	ORANGE
325-108	BROWN
325-112	VIOLET
325-113	GREY

MATERIAL: SEE TABLE		FINISH: SEE TABLE	
DIMENSIONAL TOLERANCES UNLESS OTHERWISE SPECIFIED			
XX	XXX	XXXX	
FRAGMENTS	ANGLES	SCALE	
---	---	5X	
DRAWN: T. LORD		DATE: 4/28/03	SIZE: B
CHECKED: T. LORD		DATE: 4/28/03	DRAWING NUMBER: SD-325
APPROVED: T. LORD		DATE: 4/28/03	ISSUE: B
<b>ABBATRON</b> Electronic Connectors and Hardware 632 Arch Street, Meadville, Pa. 16335			