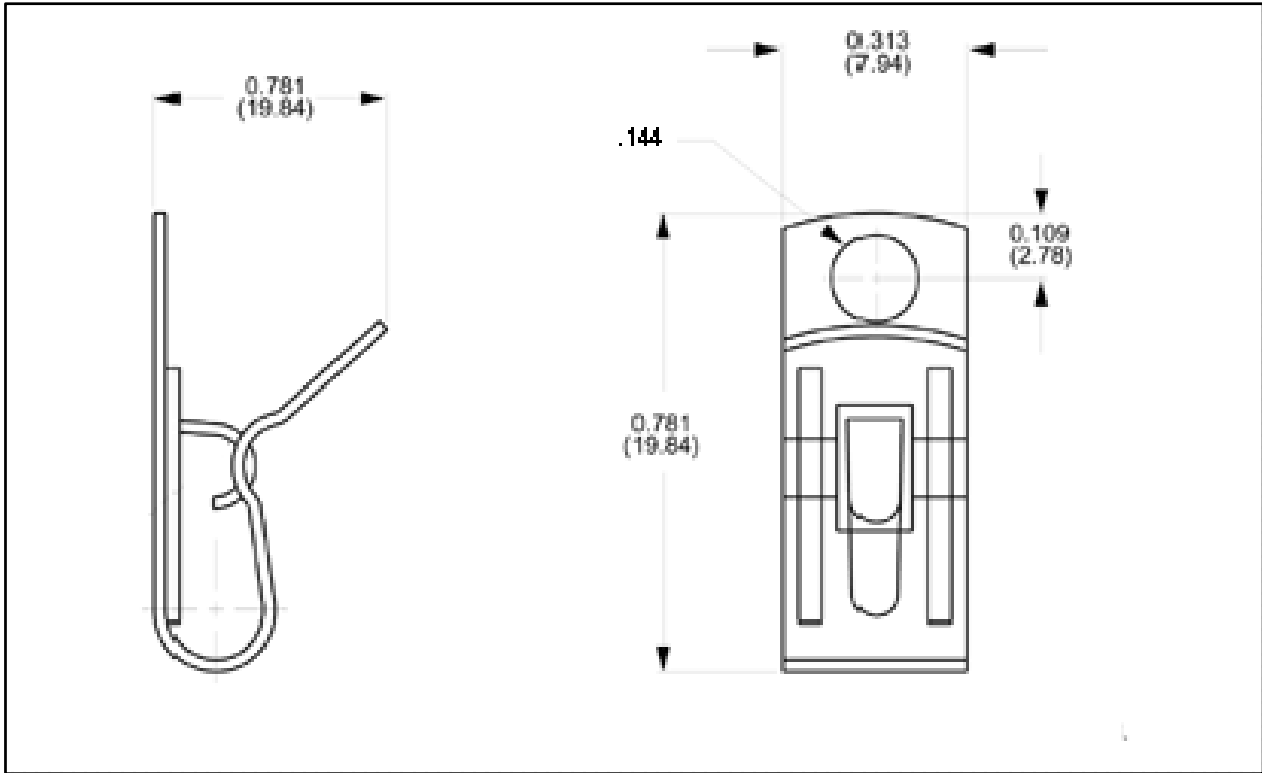


REVISIONS				
SYM	DESCRIPTION	REVISED BY	DATE	APPR



MATERIAL: BRASS			FINISH: TIN	HEAT TREAT: ---
DIMENSIONAL TOLERANCES UNLESS OTHERWISE SPECIFIED			TITLE: 533	
.XX	.XXX	.XXX	FAHNESTOCK CLIP	
±.01	±.005	---	-	
FRACTIONS	ANGLES	SCALE	DRAWN: T. LORD DATE: 4/26/07	
±1/64	±1°	NONE	CHECKED: T. LORD DATE: 4/26/07	
SURFACE FINISH	125	⊙ .002	APPROVED: T. LORD DATE: 4/26/07	

THIS DRAWING AND THE INFORMATION THEREIN IS THE PROPERTY OF ABBATRON, LLC AND ALL UNAUTHORIZED USE OR REPRODUCTION THEREOF IS PROHIBITED.

ABBATRON

Electronic Connectors and Hardware
632 Arch Street, Meadville, Pa. 16335

SIZE	DRAWING NUMBER	ISSUE
A	SD-533	-