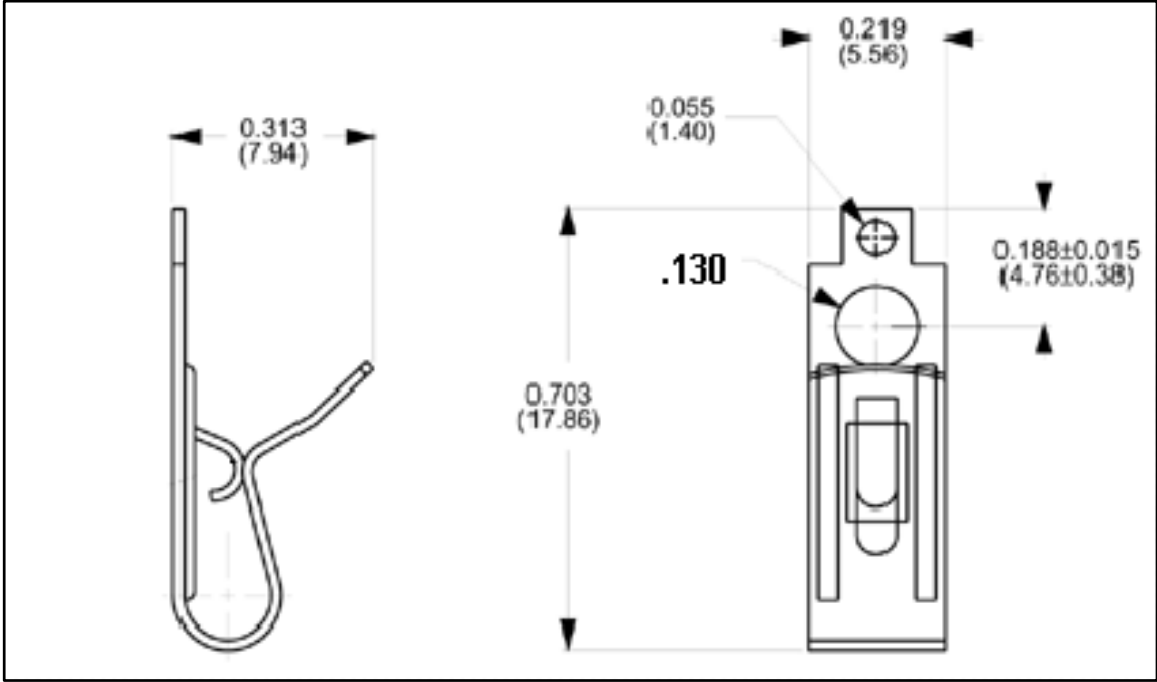


REVISIONS				
SYM	DESCRIPTION	REVISED BY	DATE	APPR



THIS DRAWING AND THE INFORMATION THEREIN IS THE PROPERTY OF ABBATRON, LLC AND ALL UNAUTHORIZED USE OR REPRODUCTION THEREOF IS PROHIBITED.

MATERIAL: BRASS			FINISH: TIN		HEAT TREAT: ---	
DIMENSIONAL TOLERANCES UNLESS OTHERWISE SPECIFIED			TITLE: 539			
.XX	.XXX	.XXX	FAHNESTOCK CLIP			
---	---	---	-			
FRACTIONS	ANGLES	SCALE	DRAWN: T. LORD DATE: 4/26/07			
---	---	NONE	CHECKED: T. LORD DATE: 4/26/07			
SURFACE FINISH 125			APPROVED: T. LORD DATE: 4/26/07			

ABBATRON

Electronic Connectors and Hardware
632 Arch Street, Meadville, Pa. 16335

SIZE	DRAWING NUMBER	ISSUE
A	SD-539	-