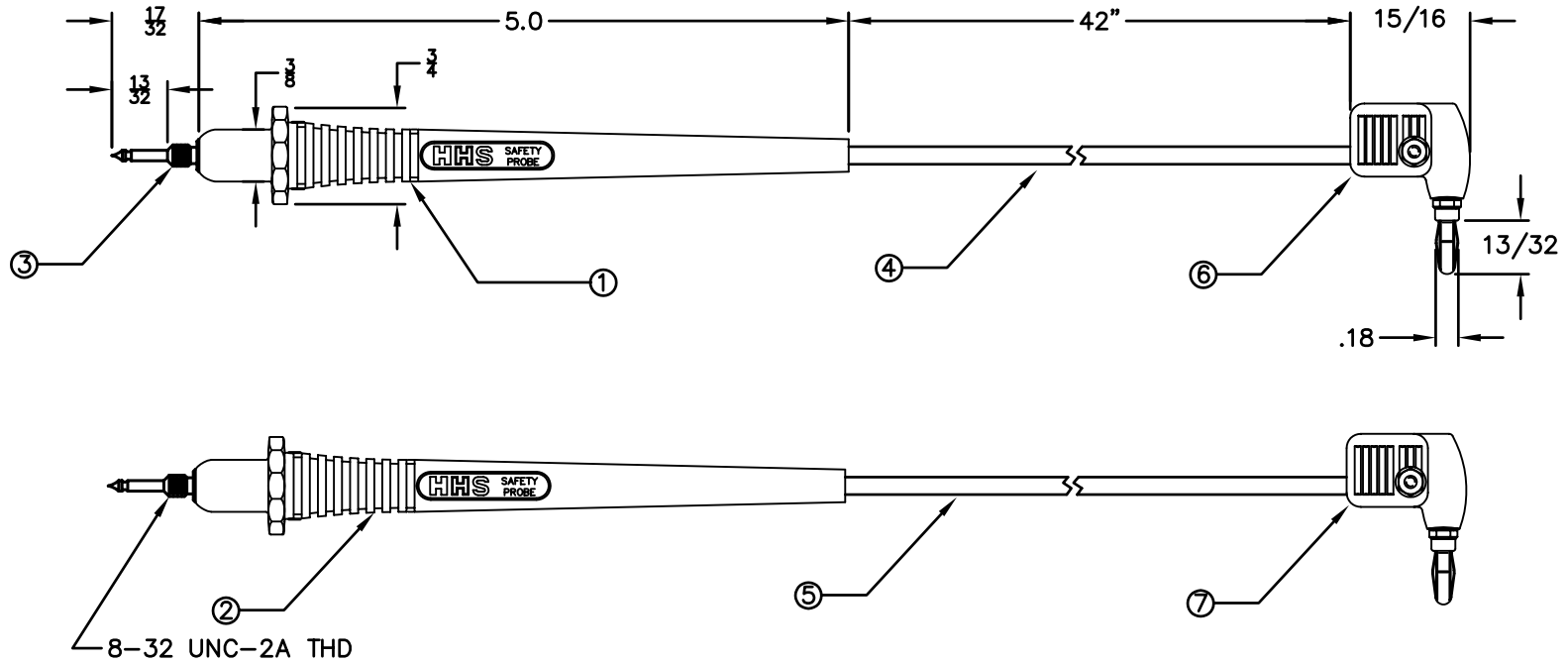


BILL OF MATERIALS				
DET.	QTY.	DESCRIPTION	MATERIAL	PLATING
1	1	HANDLE, RED	ABS	----
2	1	HANDLE, BLACK	ABS	----
3	2	TIP PLUG	BRASS	NICKEL
4	1	18 AWG WIRE, RED	PVC	----
5	1	18 AWG WIRE, BLACK	PVC	----
6	1	BANANA PLUG	SEE DWG	NICKEL
7	1	BANANA PLUG	SEE DWG	NICKEL

REVISIONS				
SYM	DESCRIPTION	REVISED BY	DATE	APPR



MATERIAL: SEE BOM		FINISH: SEE BOM		<h1>ABBATRON</h1> <p>Electronic Connectors and Hardware 632 Arch Street, Meadville, Pa. 16335</p>			
DIMENSIONAL TOLERANCES UNLESS OTHERWISE SPECIFIED			TITLE: 685P				
.XX	.XXX	.XXX	TEST LEAD				
---	---	---					
FRACTIONS		ANGLES		SCALE			
---		---		1:1			
HEAT TREAT: ---		DRAWN: T. LORD		DATE: 7/27/04			
PLOT SCALE: 1=1		CHECKED: T. LORD		DATE: 7/27/04			
		APPROVED: T. LORD		DATE: 7/27/04			
SIZE: B	DRAWING NUMBER: SD-685P		ISSUE: A				