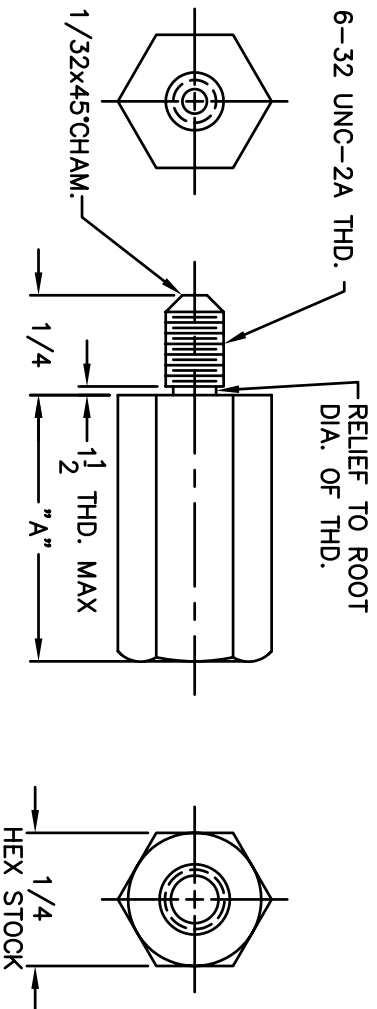
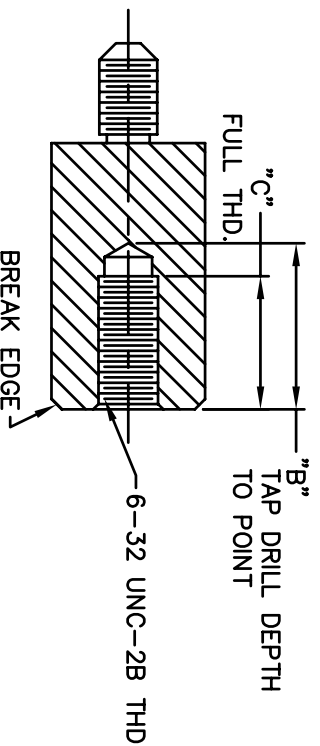


REVISIONS		REVISION DATE	APPR
SYM	DESCRIPTION		

FULL SECTION



STANDOFF				
PART NO.	LENGTH "A" ± .005	DRILL DEPTH "B"	TAP DEPTH "C"	TAP DEPTH NO. THDS
8001C	.250	.211	.104	3-4
8001E	.375	.336	.229	7-8
8001G	.500	.482	.350	10-11
8001J	.625	.482	.350	10-11
8001L	.750	.482	.350	10-11
8001N	.875	.482	.350	10-11
8001Q	1.000	.482	.350	10-11
8001R	1.125	.482	.350	10-11
8001S	1.250	.482	.350	10-11
8001T	1.375	.482	.350	10-11
8001U	1.500	.482	.350	10-11
8001V	1.625	.482	.350	10-11
8001W	1.750	.482	.350	10-11
8001Y	2.000	.482	.350	10-11
8001ZB	2.500	.482	.350	10-11
8001ZD	3.000	.482	.350	10-11

MATERIAL: ALUMINUM ALLOY 2011 T-3	FINISH: IRRIDITE 14-2 PER MIL-C-5541	TITLE: 8001C-8001ZD	
DIMENSIONAL TOLERANCES UNLESS OTHERWISE SPECIFIED		ALUMINUM HEX MALE/FEMALE STANDOFF	
XX	XXX	XXX	
FRACTIONS	ANGLES	SCALE	
---	---	4X	
HEAT TREAT: ---		DRAWN: T. LORD	DATE: 12/6/03
PLOT SCALE: 1=1		CHECKED: T. LORD	DATE: 12/6/03
		APPROVED: T. LORD	DATE: 12/6/03
ABBATRON		SIZE: B	DRAWING NUMBER: SD 8001C-8001ZD
Electronic Connectors and Hardware			ISSUE: E
632 Arch Street, Meadville, Pa. 16335			