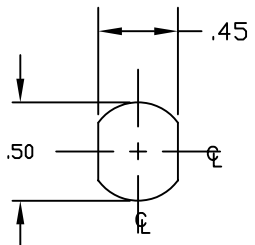
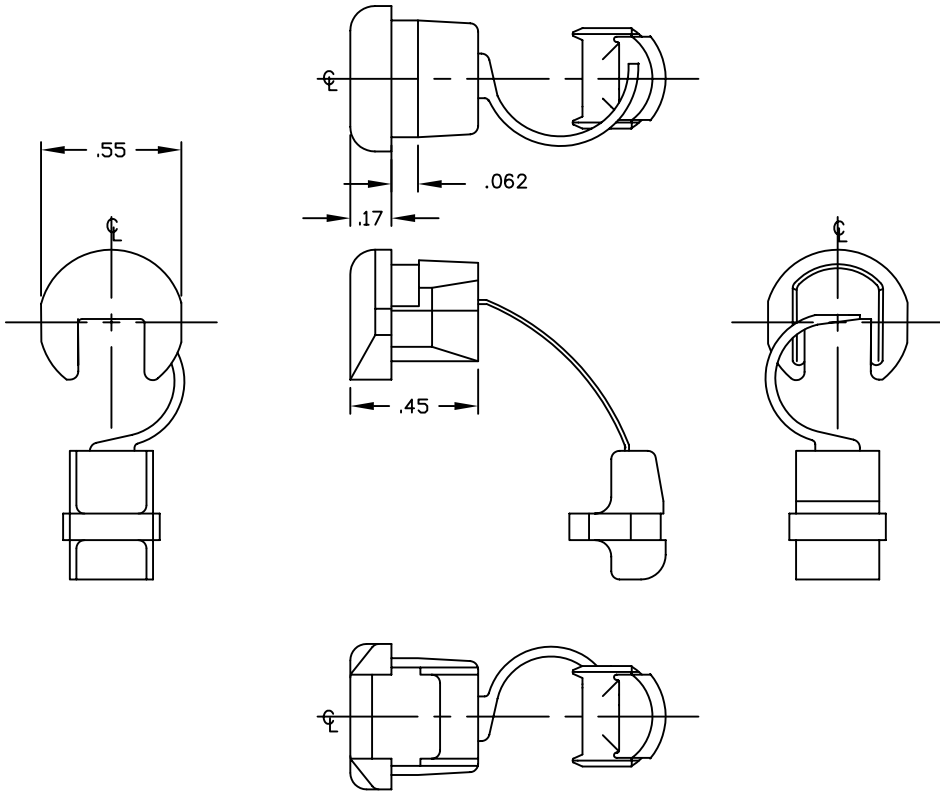


REVISIONS				
SYM	DESCRIPTION	REVISED BY	DATE	APPR



MOUNTING HOLE

MATERIAL: NYLON TYPE 6/6			FINISH: BLACK		<b>ABBATRON</b> Electronic Connectors and Hardware 632 Arch Street, Meadville, Pa. 16335		
DIMENSIONAL TOLERANCES UNLESS OTHERWISE SPECIFIED			TITLE: 939				
.XX	.XXX	.XXXX	WIRE STRAIN RELIEF-BUSHING (STRAIGHT THRU)				
---	---	---					
FRACTIONS	ANGLES	SCALE	DRAWN: Y.SWISHER DATE: 2-3-98		SIZE	DRAWING NUMBER	ISSUE
---	---	NONE	CHECKED: E.McKINNEY DATE: 4-13-98		B	SD-939	A
HEAT TREAT:	---		APPROVED: G. TERRILL DATE: 4-13-98				
PLOT SCALE:	1=1						