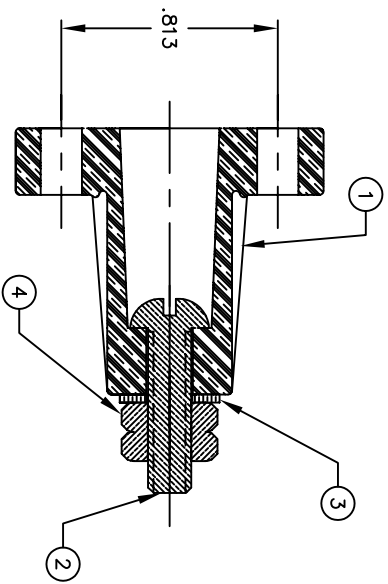
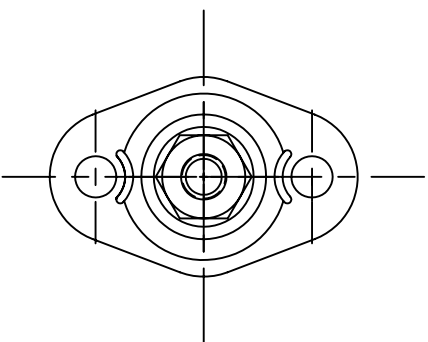
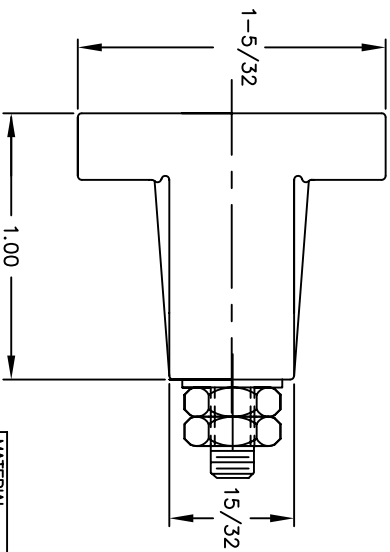


BILL OF MATERIALS				
DET.	QTY.	DESCRIPTION	MATERIAL	PLATING
1	1	HV INSUL	STEATITE	-
2	1	SCR	BRASS	NICKEL
3	1	WASHER	BRASS	NICKEL
4	2	HEX NUT	BRASS	-

REVISIONS		REVISED BY	DATE	APPR
SYM	DESCRIPTION			



NOTE:
1. SUPPLIED UNASSEMBLED



MATERIAL: SEE B.O.M.		FINISH: SEE B.O.M.	
DIMENSIONAL TOLERANCES UNLESS OTHERWISE SPECIFIED		TITLE: 9522	
XX	.XXX	HV INSULATOR ASSEMBLY	
---	---	Electronic Connectors and Hardware	
FRACTIONS	ANGLES	13680 S. MOSERTOWN RD	
---	---	MEADVILLE, PA 16335	
SCALE	2 : 1	DRAWN: Y. SWISHER	DATE: 9-11-97
HEAT TREAT:	---	CHECKED:	DATE:
PLOT SCALE:	1 : 1	APPROVED:	DATE:
SIZE	DRAWING NUMBER	ISSUE	
B	SD: 9522	B	

ABBATRON