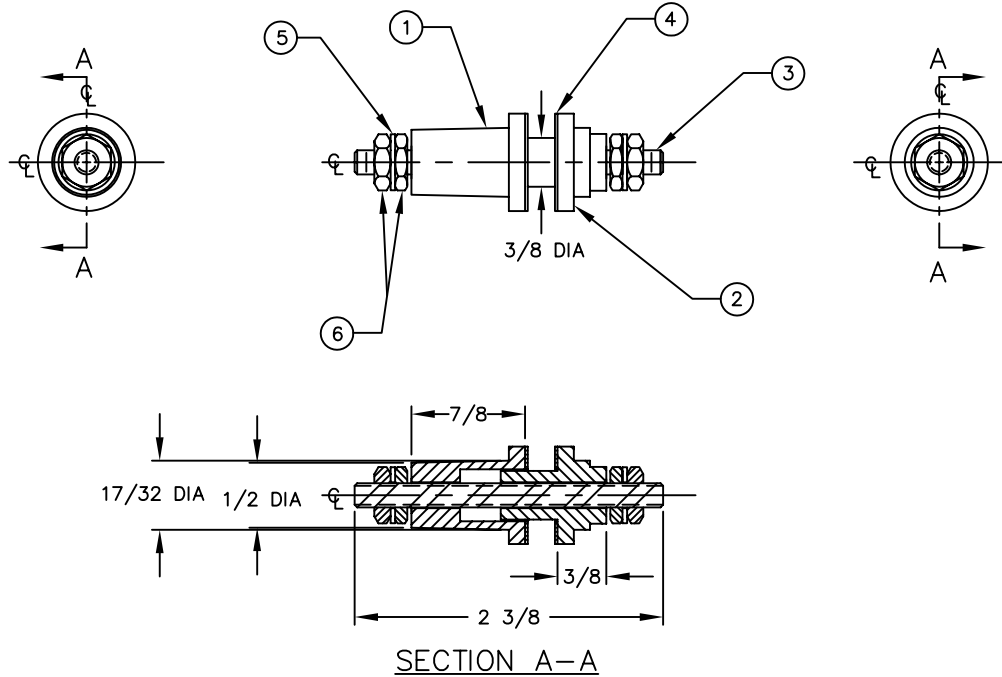


BILL OF MATERIALS				
DET.	QTY.	DESCRIPTION	MATERIAL	PLATING
1	1	INSUL-HV TOP	STEATITE	WHITE GLAZE
2	1	INSUL-HV BOTTOM	STEATITE	WHITE GLAZE
3	1	#10-32 STUD	BRASS	NICKEL
4	2	INSULATING WASHER	CHAM PAC	-
5	2	WASHER	BRASS	NICKEL
6	4	HEX NUT	BRASS	NICKEL

REVISIONS				
SYM	DESCRIPTION	REVISED BY	DATE	APPR



MATERIAL: SEE TABLE		FINISH: ---	<b>ABBATRON</b> <b>Electronic Connectors and Hardware</b> <b>632 Arch Street, Meadville, Pa. 16335</b>				
DIMENSIONAL TOLERANCES UNLESS OTHERWISE SPECIFIED		TITLE: 9542AA				HIGH VOLTAGE INSULATOR REF. 5202	
.XX	.XXX	.XXXX					
---	---	---					
FRACTIONS	ANGLES	SCALE	DRAWN: JOEL FALVEY DATE: 3-10-97		SIZE	DRAWING NUMBER	ISSUE
---	---	1:1	CHECKED: E.MCKINNEY DATE: 3-12-97		B	SD-9542AA	C
HEAT TREAT: ---	PLOT SCALE: 1=1		APPROVED: M.KLOECKER DATE: 3-12-97				