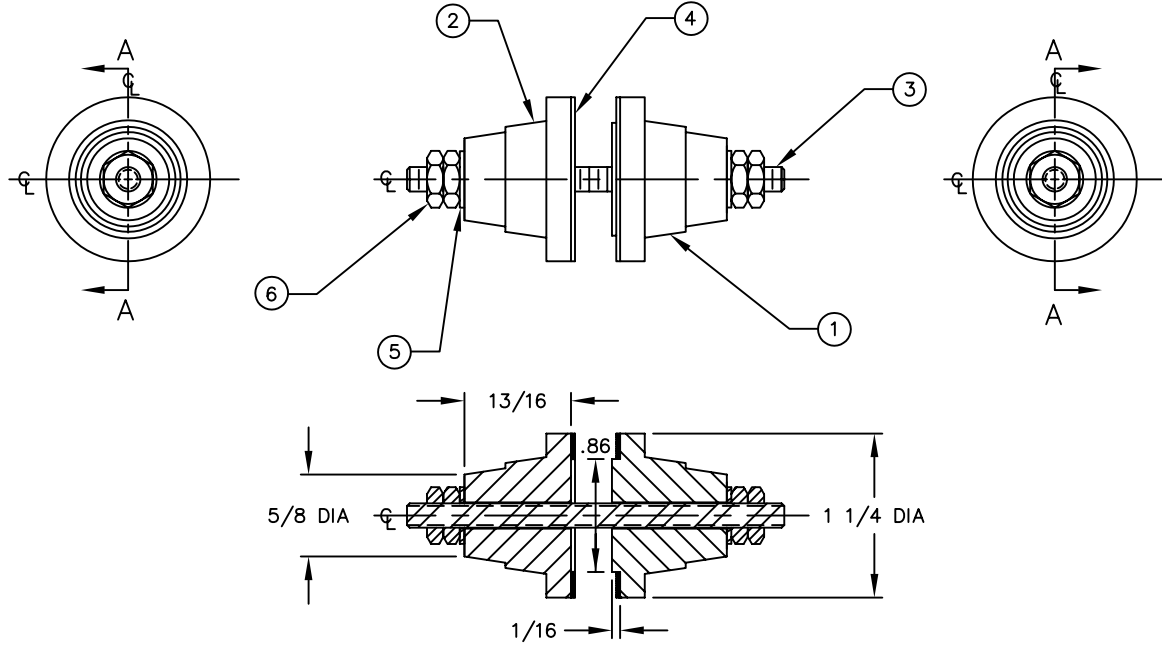


BILL OF MATERIALS

DET.	QTY.	DESCRIPTION	MATERIAL	PLATING
1	1	INSUL-HV TOP	STEATITE	WHITE GLAZE
2	1	INSUL-HV BOTTOM	STEATITE	WHITE GLAZE
3	1	#10-32 STUD	BRASS	CODE 16
4	2	INSULATING WASHER	CHAM PAC	CODE 0
5	2	WASHER	BRASS	CODE 10
6	4	HEX NUT	BRASS	CODE 45

REVISIONS

SYM	DESCRIPTION	REVISED BY	DATE	APPR



SECTION A-A

MATERIAL: SEE TABLE		FINISH: ---		<h1>ABBATRON</h1> <p>Electronic Connectors and Hardware 632 Arch Street, Meadville, Pa. 16335</p>			
DIMENSIONAL TOLERANCES UNLESS OTHERWISE SPECIFIED		TITLE: 9551AB					
.XX	.XXX	.XXXX	HIGH VOLTAGE INSULATOR				
---	---	---	REF. 5205				
FRACTIONS	ANGLES	SCALE	DRAWN: JOEL FALVEY	DATE: 3-20-97	SIZE	DRAWING NUMBER	ISSUE
---	---	1:1	CHECKED:	DATE:	B	SD-9551AB	B
HEAT TREAT: ---	PLOT SCALE: 1=1		APPROVED:	DATE:			