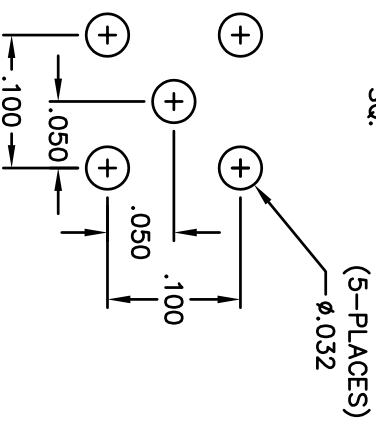
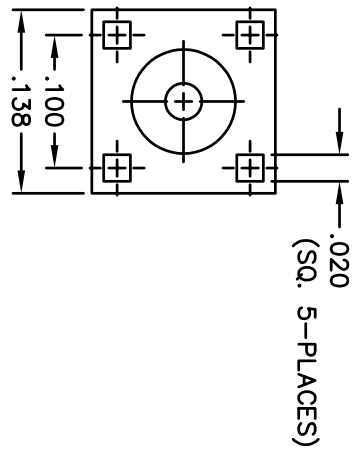
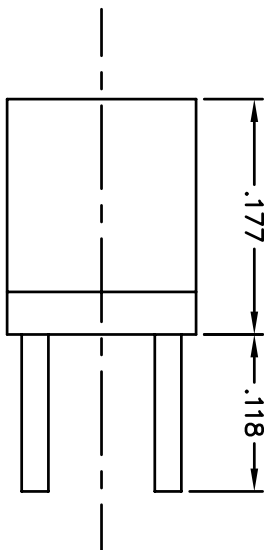


| BILL OF MATERIALS | | | | |
|-------------------|------|-------------|----------|---------|
| DET. | QTY. | DESCRIPTION | MATERIAL | PLATING |
| 1 | 1 | BODY | BRASS | GOLD |
| 2 | 1 | CONTACT | BeCu | GOLD |
| 3 | 1 | INSULATOR | PTFE | - |

| REVISIONS | | |
|-----------|-------------|---------------------|
| SYM | DESCRIPTION | REVISED DATE / APPR |
| | | |



KEY PERFORMANCE

- 1) IMPEDANCE: 50 ohm
- 2) FREQUENCY: 0-6GHZ
- 3) CONTACT RESISTANCE:
CENTER CONDUCTOR: 5.0 MILLIOHMS MAX
OUTER CONDUCTOR: 2.5 MILLIOHMS MAX
- 4) INSULATION RESISTANCE: 1000 MEGOHMS MAX
- 5) VOLTAGE WITHSTANDING: 500V MIN
- 6) VSWR 1.3 MAX

THIS DRAWING AND THE INFORMATION THEREIN IS THE PROPERTY OF ABBATRON, LLC. ANY REPRODUCTION, USE OR REPRODUCTION THEREOF IS PROHIBITED.

| | | |
|--|--------------------------------|---|
| MATERIAL: SEE BOM | FINISH: SEE BOM | HEAT TREAT: --- |
| DIMENSIONAL TOLERANCES UNLESS OTHERWISE SPECIFIED XX .XXX XXX .XXX --- .--- | TITLE: MMGX JACK PCB, THU HOLE | Electronic Connectors and Hardware 632 Arch Street, Meadville, Pa. 16335 |
| FRACTIONS ANGLES SCALE --- .--- 10:1 | DRAWN: T. LORD DATE: 8/24/07 | SIZE: B |
| SURFACE FINISH 125 --- .002 | CHECKED: T. LORD DATE: 8/24/07 | DRAWING NUMBER: SD-MMGX5227 |
| APPROVED: T. LORD DATE: 8/24/07 | | ISSUE: - |