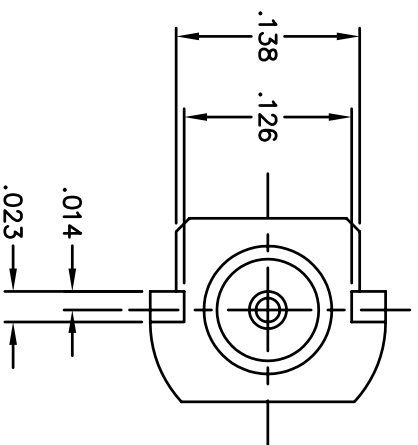
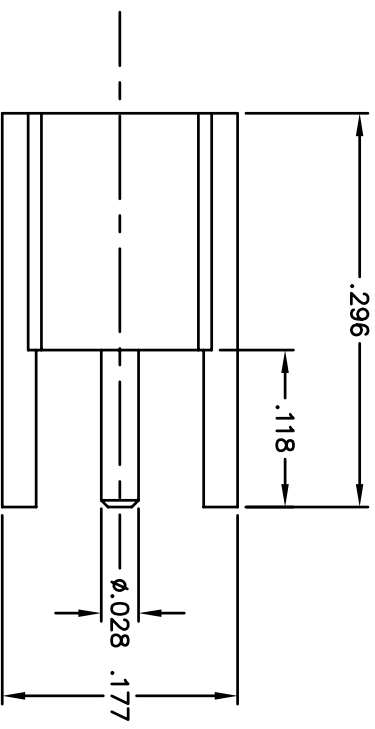


BILL OF MATERIALS				
DET.	QTY.	DESCRIPTION	MATERIAL	PLATING
1	1	BODY	BRASS	GOLD
2	1	CONTACT	BeCu	GOLD
3	1	INSULATOR	PTFE	-

REVISIONS		REVISED DATE	APPR
SYM	DESCRIPTION		



KEY PERFORMANCE

- 1) IMPEDANCE: 50 ohm
- 2) FREQUENCY: 0-6GHz
- 3) CONTACT RESISTANCE: CENTER CONDUCTOR: 5.0 MEGOHMS MAX
OUTER CONDUCTOR: 2.5 MEGOHMS MAX
- 4) INSULATION RESISTANCE: 1000 MEGOHMS MIN
- 5) VOLTAGE WITHSTANDING: 500V MIN
- 6) VSWR 1.3 MAX

THIS DRAWING AND THE INFORMATION THEREIN IS THE PROPERTY OF ABBATRON, LLC AND IS UNCLASSIFIED. REPRODUCTION OR REPRODUCTION THEREOF IS PROHIBITED.

MATERIAL: SEE BOM	FINISH: SEE BOM	HEAT TREAT: ---
DIMENSIONAL TOLERANCES UNLESS OTHERWISE SPECIFIED XX .XXX .XXX	TITLE: MMCX JACK EDGE MOUNT, SMT	Electronic Connectors and Hardware 632 Arch Street, Meadville, Pa. 16335
FRACTIONS ANGLES SCALE 10:1	DRAWN: T. LORD DATE: 8/24/07	SIZE: B
SURFACE FINISH: 12.5 0.002	CHECKED: T. LORD DATE: 8/24/07	DRAWING NUMBER: MMCX5229
	APPROVED: T. LORD DATE: 8/24/07	ISSUE: -