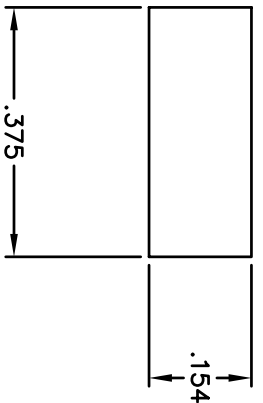
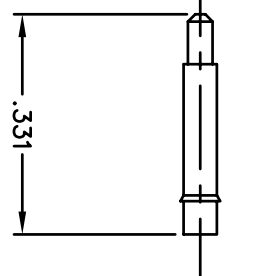
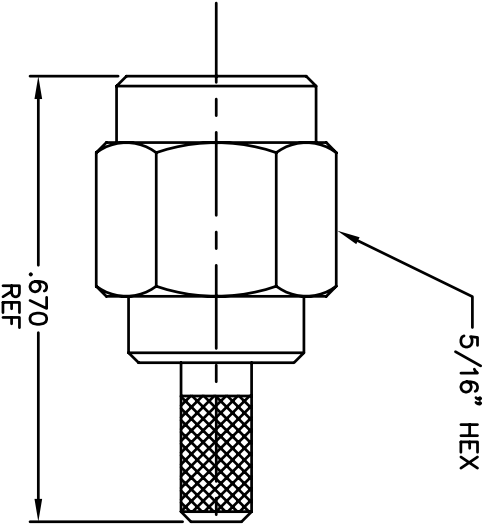
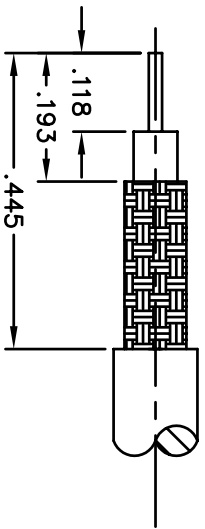


BILL OF MATERIALS

DET.	QTY.	DESCRIPTION	MATERIAL	PLATING
1	1	PIN	BeCu	GOLD
2	1	INSULATOR	PTFE	-
3	1	BODY	BRASS	GOLD
4	1	GASKET	SILICONE	-
5	1	C-RING	BeCu	-
6	1	SHELL	BRASS	GOLD
6	1	FERRULE	BRASS	GOLD

REVISIONS		REVISED DATE	APPR
SYM	DESCRIPTION		



THIS DRAWING AND THE INFORMATION THEREIN IS THE PROPERTY OF ABBATRON, LLC AND IS UNCLASSIFIED. REPRODUCTION OF THIS DRAWING OR INFORMATION THEREOF IS PROHIBITED.

MATERIAL: SEE BOM		FINISH: SEE BOM		HEAT TREAT: ---	
DIMENSIONAL TOLERANCES UNLESS OTHERWISE SPECIFIED		TITLE: SMA5113		Electronic Connectors and Hardware	
XX	XXX	XXXX	SMA PLUG, CRIMP STYLE		632 Arch Street, Meadville, Pa. 16335
---	---	---	RG-174/U, 188A/U, 316/U		
FRACTIONS	ANGLES	SCALE	DRAWN: T. LORD	DATE: 11/6/07	SIZE: B
---	---	5:1	CHECKED: T. LORD	DATE: 11/6/07	DRAWING NUMBER: SMA5113
SURFACE FINISH: 125		002	APPROVED: T. LORD	DATE: 11/6/07	ISSUE: -

ABBATRON