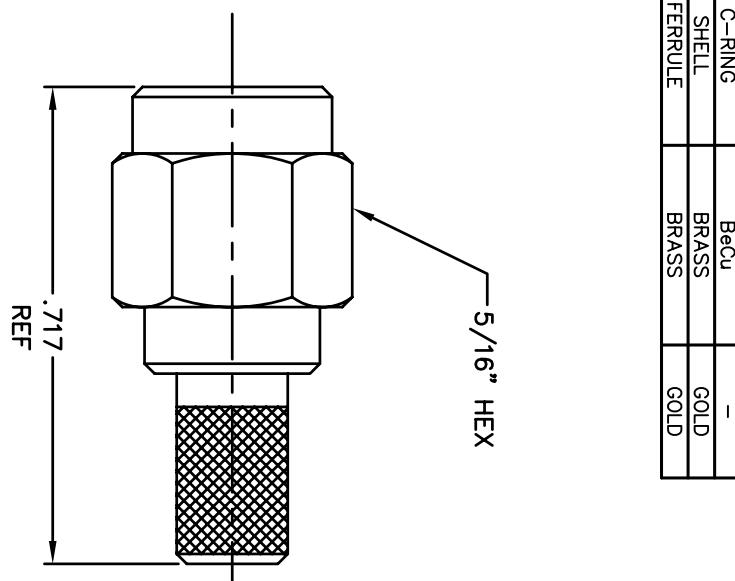


REVISIONS		REVISED DATE	APPR
SYM	DESCRIPTION		

DET.	QTY.	DESCRIPTION	MATERIAL	PLATING
1	1	PIN	BeCu	GOLD
2	1	INSULATOR	PTFE	-
3	1	BODY	BRASS	GOLD
4	1	GASKET	SILICONE	-
5	1	C-RING	BeCu	-
6	1	SHELL	BRASS	GOLD
6	1	FERRULE	BRASS	GOLD

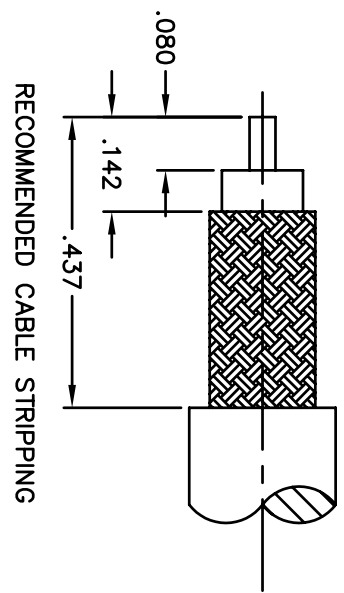
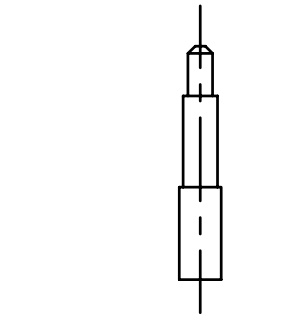


KEY PERFORMANCE

- 1) IMPEDANCE: 50 ohm
- 2) FREQUENCY: 0-12.4GHZ
- 3) CONTACT RESISTANCE: CENTER CONDUCTOR: 6.0 MILLOHMS MAX
OUTER CONDUCTOR: 2.0 MILLOHMS MAX
- 4) INSULATION RESISTANCE: 5000 MEGOHMS MIN
- 5) VOLTAGE WITHSTANDING: 1000V MIN
- 6) VSWR 1.3 MAX

THIS DRAWING AND THE INFORMATION THEREIN IS THE PROPERTY OF ABBATRON, LLC AND IS UNCLASSIFIED. REPRODUCTION OF THIS DRAWING OR INFORMATION THEREOF IS PROHIBITED.

MATERIAL: SEE BOM	FINISH: SEE BOM	HEAT TREAT: ---
DIMENSIONAL TOLERANCES UNLESS OTHERWISE SPECIFIED XX .XXX .XXX FRACTIONS ANGLES --- ---	SCALE 5:1	
TITLE: SMA5115A SMA PLUG, CRIMP STYLE RG-55/U,142A/U,223/U,400/U		Electronic Connectors and Hardware 632 Arch Street, Meadville, Pa. 16335
DRAWN: T. LORD	DATE: 11/6/07	SIZE: B
CHECKED: T. LORD	DATE: 11/6/07	DRAWING NUMBER: SD: SMA5115
APPROVED: T. LORD	DATE: 11/6/07	ISSUE: -
SURFACE FINISH: 125		
.002		



RECOMMENDED CABLE STRIPPING