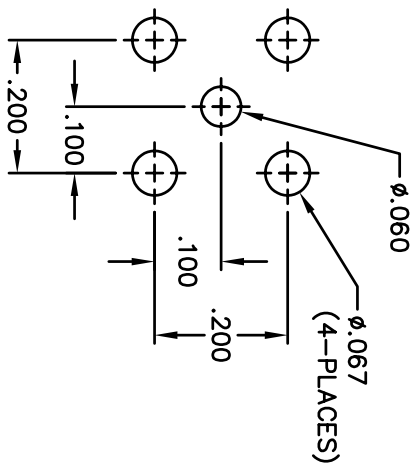
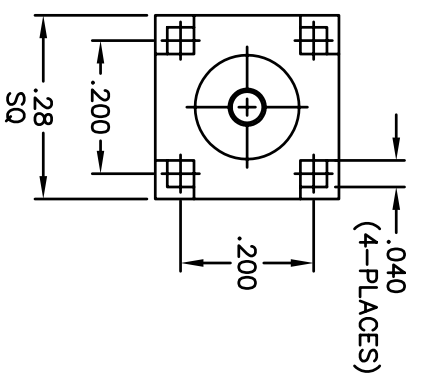
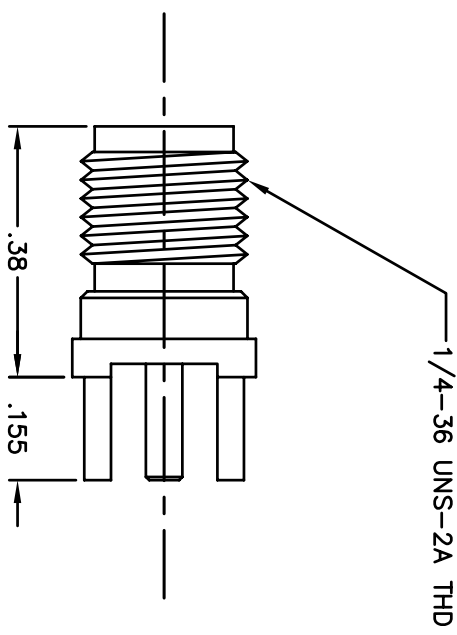


BILL OF MATERIALS				
DET.	QTY.	DESCRIPTION	MATERIAL	PLATING
1	1	INSULATOR	PTFE	-
2	1	BODY	BRASS	GOLD
3	1	CONTACT PIN	BeCu	GOLD

REVISIONS	
SYM	DESCRIPTION



KEY PERFORMANCE

- 1) IMPEDANCE: 50 ohm
- 2) FREQUENCY: 0-18GHz
- 3) CONTACT RESISTANCE: CENTER CONDUCTOR: 6.0 MIILOHMS MAX  
OUTER CONDUCTOR: 2.0 MIILOHMS MAX
- 4) INSULATION RESISTANCE: 5000 MEGOHMS MIN
- 5) VOLTAGE WITHSTANDING: 1000V MIN
- 6) VSWR 1.3 MAX

THIS DRAWING AND THE INFORMATION THEREIN IS THE PROPERTY OF ABBATRON, LLC AND IS UNCLASSIFIED. REPRODUCTION THEREOF IS PROHIBITED.

MATERIAL: SEE BOM	FINISH: SEE BOM	HEAT TREAT: ---
DIMENSIONAL TOLERANCES UNLESS OTHERWISE SPECIFIED		
XX	XXX	XXXX
---	---	---
FRACTIONS	ANGLES	SCALE
---	---	5:1
SURFACE FINISH		
125	0.002	
DRAWN: T. LORD	DATE: 11/6/07	
CHECKED: T. LORD	DATE: 11/6/07	
APPROVED: T. LORD	DATE: 11/6/07	
<b>ABBATRON</b> Electronic Connectors and Hardware 632 Arch Street, Meadville, Pa. 16335		SIZE: B DRAWING NUMBER: SMA5227 ISSUE: -