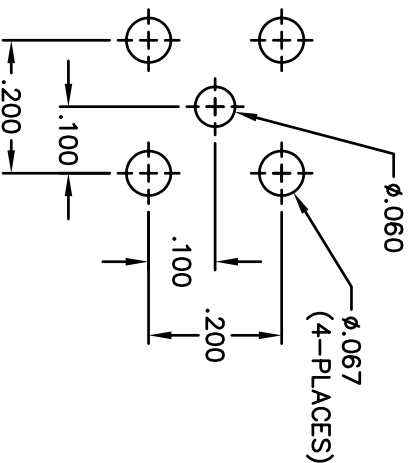
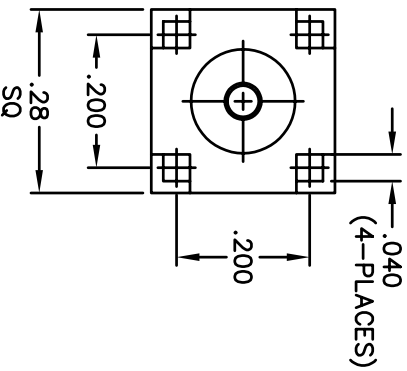
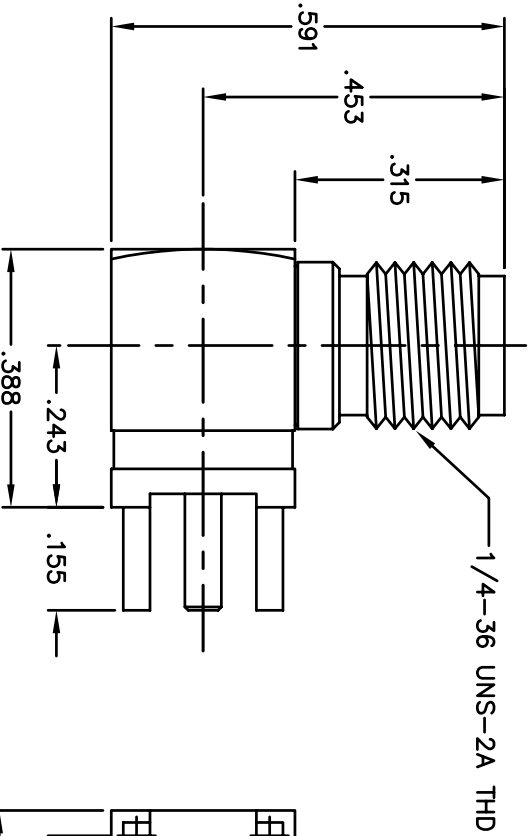


DET.	QTY.	DESCRIPTION	MATERIAL	PLATING
1	1	INSULATOR	PTFE	-
2	1	INSULATOR	PTFE	-
3	1	BODY	BRASS	GOLD
4	1	CONTACT PIN	BeCu	GOLD
5	1	CUBE BODY	BRASS	GOLD

BILL OF MATERIALS

SYM	DESCRIPTION	REVISED	DATE	APPR



KEY PERFORMANCE

- 1) IMPEDANCE: 50 ohm
- 2) FREQUENCY: 0-18GHz
- 3) CONTACT RESISTANCE:
CENTER CONDUCTOR: 6.0 MLLIOHMS MAX
OUTER CONDUCTOR: 2.0 MLLIOHMS MAX
- 4) INSULATION RESISTANCE: 5000 MEGOHMS MIN
- 5) VOLTAGE WITHSTANDING: 1000V MIN
- 6) VSWR 1.5 MAX

THIS DRAWING AND THE INFORMATION THEREIN IS THE PROPERTY OF ABBATRON, LLC. ANY REPRODUCTION, USE OR REPRODUCTION THEREOF IS PROHIBITED.

MATERIAL: SEE BOM	FINISH: SEE BOM	HEAT TREAT: ---
DIMENSIONAL TOLERANCES UNLESS OTHERWISE SPECIFIED XX .XXX .XXX .XXX	TITLE: SMA5247 SMA JACK, R/A PCB MOUNT	Electronic Connectors and Hardware 632 Arch Street, Meadville, Pa. 16335
FRACTIONS ANGLES SCALE --- --- 5:1	DRAWN: T. LORD DATE: 11/6/07	SIZE: B
SURFACE FINISH 12.5	CHECKED: T. LORD DATE: 11/6/07	DRAWING NUMBER: SD: SMA5247
APPROVED: T. LORD DATE: 11/6/07		ISSUE: -

ABBATRON