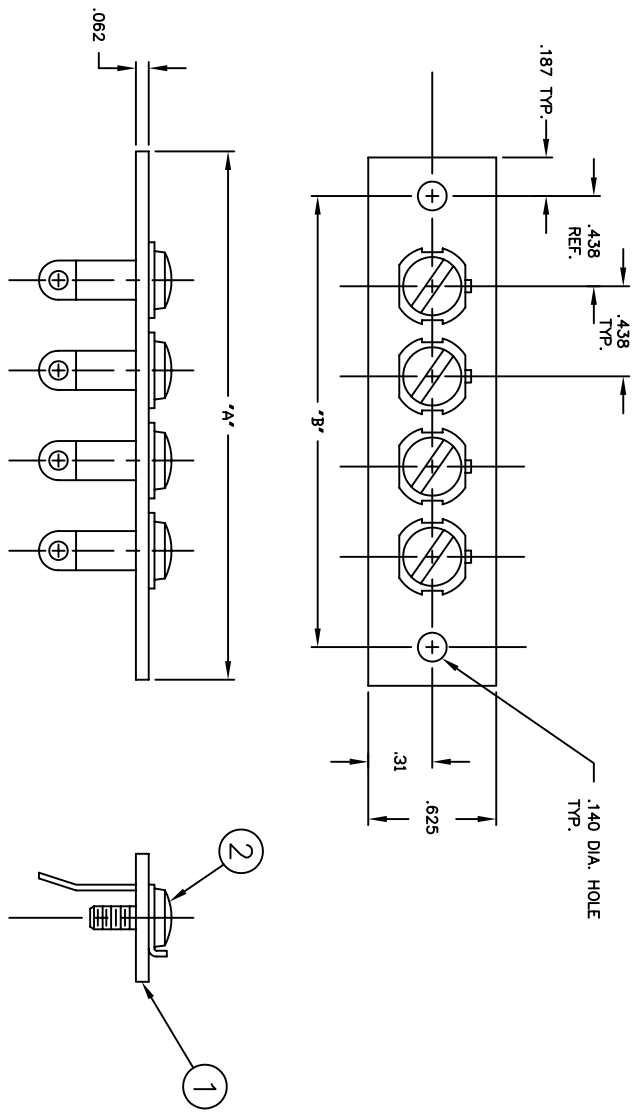


DET. QTY.	DESCRIPTION	MATERIAL	FINISH
1	B.P. BOARD	PHENOLIC	-
2	B.P. LUG	STEEL	TIN

REVISIONS		DATE	APPR
SYM	DESCRIPTION		



PART NO.	QTY. LUGS	FINISHED ASSEMBLY LIST	
		QTY.	TERMINALS
914	1	1.25	.87
872	2	1.69	1.31
873	3	2.12	1.75
874	4	2.56	2.19
875	5	3.00	2.62
876	6	3.44	3.06
877	7	3.87	3.50
928	8	4.31	3.94
929	9	4.75	4.37
930	10	5.19	4.82

MATERIAL	"SEE TABLE"	FINISH	"SEE TABLE"
DIMENSIONAL TOLERANCES			
UNLESS OTHERWISE SPECIFIED			
XX	XX	XX	XX
FRACTIONS ANGLES SCALE			
DRAWN BY E. FRANKLIN		DATE 8-16-91	SIZE
CHECKED E. MCKINNEY		DATE 8-21-91	SIZE
APPROVED D. MILLER		DATE 8-21-91	SIZE
HEAT TREAT			SCALE
PLOT SCALE			1=1

**ABBATRON**  
Electronic Connectors and Hardware  
632 Arch Street, Meadville, Pa. 16335

872 SERIES  
BINDING POST BOARD  
ASSEMBLY

SD-SMP-00206  
F