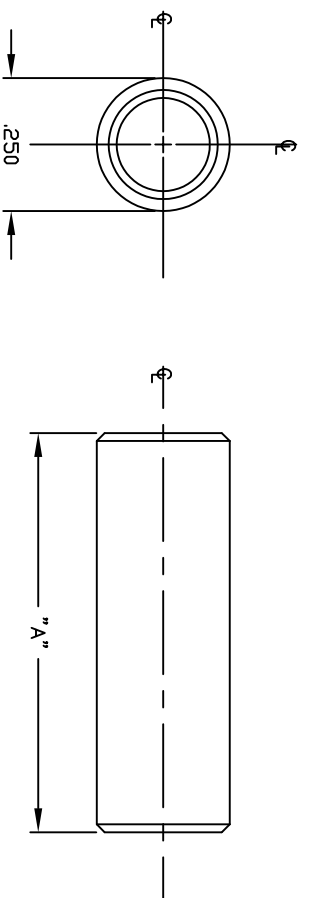
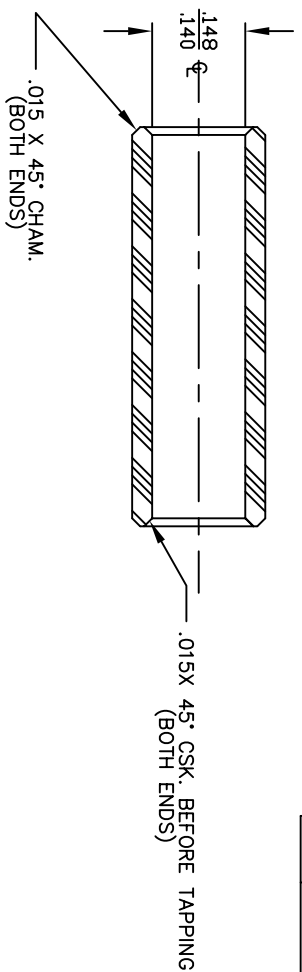


REVISIONS		REVISED	DATE	APPR
SYM	DESCRIPTION			



SPACERS	PART NO.	DIM "A"
8500		.125
9207		.187
8501		.250
9208		.312
8502		.375
9209		.437
8503		.500
9210		.562
8504		.625
9211		.687
8505		.750
9212		.812
8506		.875
9213		.937
8507		1.000
8500R		1.125
8508		1.250
8500T		1.375
8509		1.500
8500V		1.625
8510		1.750
8500X		1.875
8511		2.000

MATERIAL ALUMINUM ALLOY 2011 T3		FINISH CLEAR CHROMATE	
DIMENSIONAL TOLERANCES UNLESS OTHERWISE SPECIFIED		TITLE	
.XX	.XXX	ALUMINUM ROUND 1/4"	
		SPACERS	
		#6 CLEARANCE	
FRACTIONS	ANGLES	SCALE	
--	--	4:1	
HEAT TREAT	--		
PLDT SCALE	1=1		
DRAWN: T. LORD	DATE 02/10/03	SIZE	DRAWING NUMBER
CHECKED: T. LORD	DATE 02/10/03	B	SMP-00406
APPROVED: T. LORD	DATE 02/10/03		ISSUE
			B

ABBATRON
 Electronic Connectors and Hardware
 632 Arch Street, Meadville, Pa. 16335