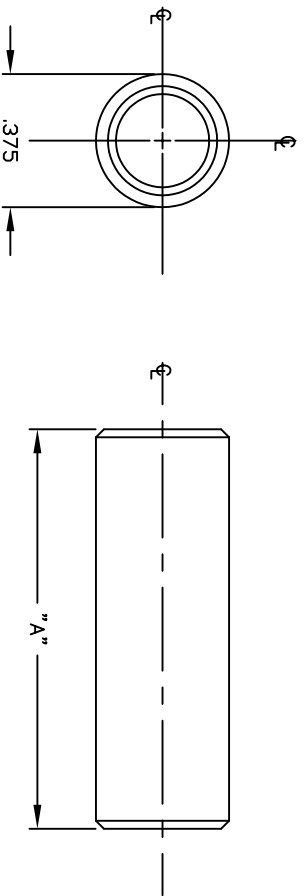
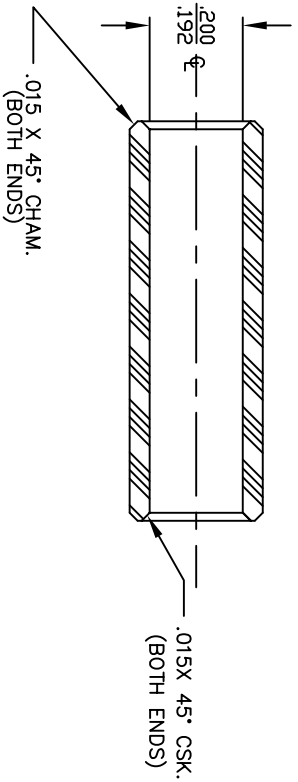


REVISIONS		REVISED BY	DATE	APPR
SYM	DESCRIPTION			



SPACERS	PART NO.	DIM "A"
	9392A	.125
	9392B	.187
	9392C	.250
	9392D	.312
	9392E	.375
	9392F	.437
	9392G	.500
	9392H	.562
	9392J	.625
	9392K	.687
	9392L	.750
	9392M	.812
	9392N	.875
	9392P	.937
	9392Q	1.000

MATERIAL ALUMINUM ALLOY 2011 T3		FINISH CLEAR CHROMATE	
DIMENSIONAL TOLERANCES UNLESS OTHERWISE SPECIFIED		TITLE	
XX	XXX	XXXX	ALUMINUM ROUND 3/8"
---	---	---	SPACERS
---	---	---	#10 CLEARANCE
FRACTIONS	ANGLES	SCALE	
---	---	NONE	
HEAT TREAT	---	---	DRAWN: T. LORD
PLDT SCALE:	1=1	---	CHECKED: T. LORD
		---	DATE 02/10/03
		---	APPROVED: T. LORD
		---	DATE 02/10/03
ABBATRON		SIZE	DRAWING NUMBER
		B	SD: SMP-00410
Electronic Connectors and Hardware		ISSUE	B
632 Arch Street, Meadville, Pa. 16335			