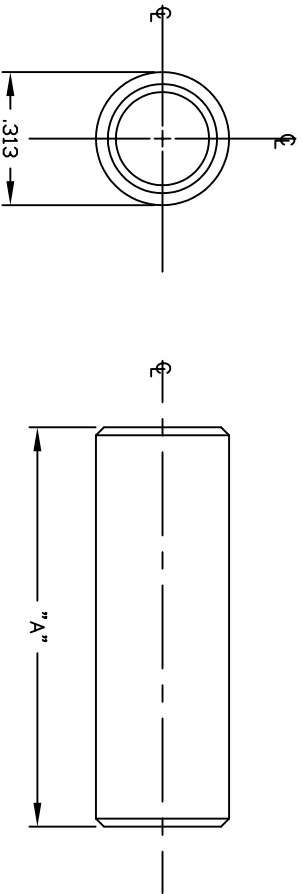
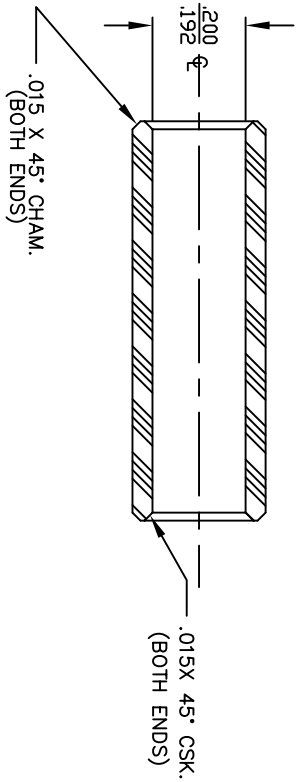


REVISIONS		REVISED BY	DATE	APPR
SYM	DESCRIPTION			



PART NO.	DIM "A"
8540	.125
9221	.187
8541	.250
9222	.312
8542	.375
9223	.437
8543	.500
9224	.562
8544	.625
9225	.687
8545	.750
9226	.812
8546	.875
9227	.937
8547	1.000
8540R	1.125
8548	1.250
8540T	1.375
8549	1.500
8540V	1.625
8550	1.750
8540X	1.875
8551	2.000

MATERIAL ALUMINUM ALLOY 2011 T3		FINISH CLEAR CHROMATE	
DIMENSIONAL TOLERANCES UNLESS OTHERWISE SPECIFIED		TITLE	
XX	XXX	XXX	ALUMINUM ROUND 5/16"
±.010	±.005	---	SPACERS
FRACTIONS	ANGLES	SCALE	#10 CLEARANCE
±1/64	±1°	NONE	
HEAT TREAT	---		
PLDT SCALE	1=1		
DRAWN: T. LORD	DATE 02/10/03	SIZE	DRAWING NUMBER
CHECKED: T. LORD	DATE 02/10/03	B	SD: SMP-00411
APPROVED: T. LORD	DATE 02/10/03		B
		ABBATRON Electronic Connectors and Hardware 632 Arch Street, Meadville, Pa. 16335	