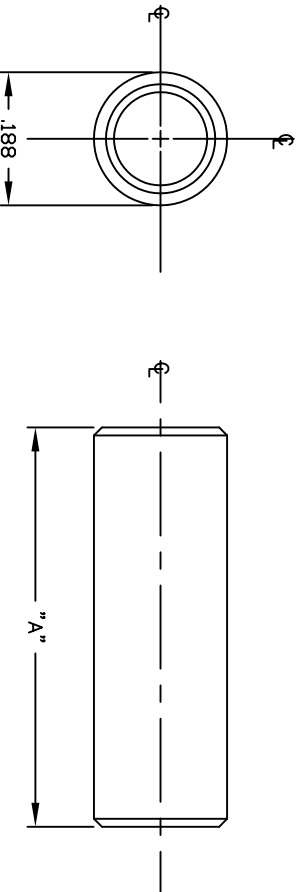
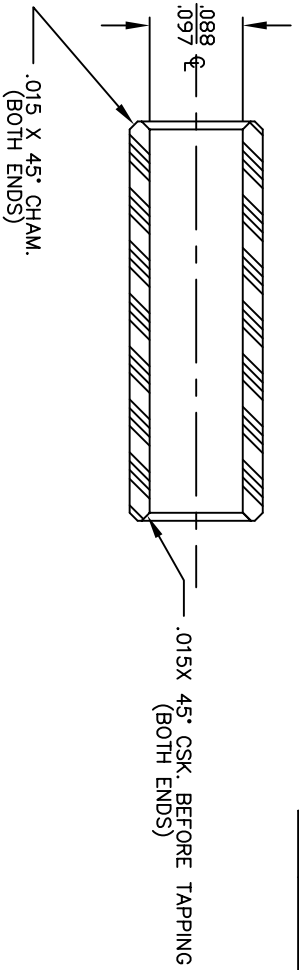


REVISIONS		REVISED BY	DATE	APPR
SYM	DESCRIPTION			



PART NO.	DIM "A"
9000	.125
9001	.187
9002	.250
9003	.312
9004	.375
9005	.437
9006	.500
9007	.562
9008	.625
9009	.687
9010	.750
9011	.812
9012	.875
9013	.937
9014	1.000

MATERIAL 360 BRASS		FINISH NICKEL	
DIMENSIONAL TOLERANCES UNLESS OTHERWISE SPECIFIED		TITLE BRASS ROUND 3/16" SPACERS #2 CLEARANCE	
XX	XXX	XXXX	
FRACTIONS		ANGLES	SCALE
---	---	---	NONE
HEAT TREAT	---	DRAWN: T. LORD	DATE 02/10/03
PLDT SCALE: 1=1	---	CHECKED: T. LORD	DATE 02/10/03
		APPROVED: T. LORD	DATE 02/10/03
ABBATRON Electronic Connectors and Hardware 632 Arch Street, Meadville, Pa. 16335		SIZE	DRAWING NUMBER
		B	SD: SMP-00413
		ISSUE	A