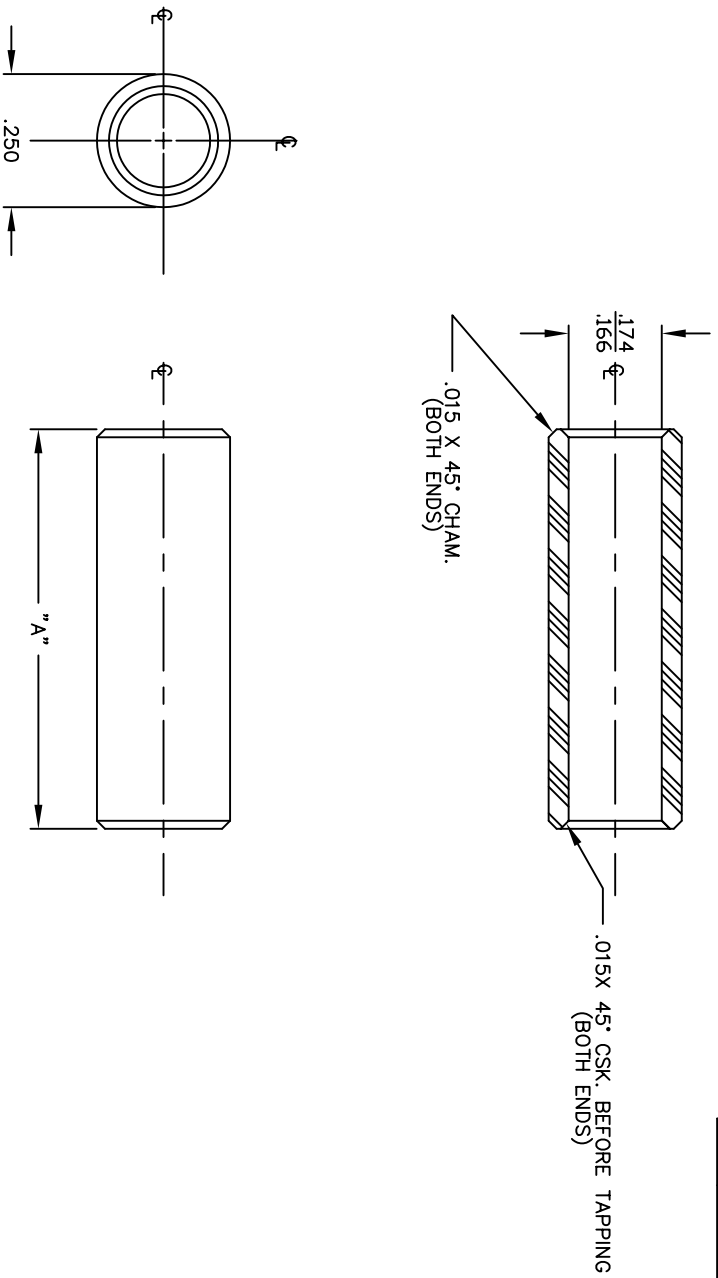


REVISIONS		REVISED BY	DATE	APPR
SYM	DESCRIPTION			



SPACERS	PART NO.	DIM "A"
	8702	.125
	8705	.187
	2105	.250
	8708	.312
	2106	.375
	8711	.437
	2107	.500
	8714	.562
	8717	.625
	8720	.687
	2108	.750
	8723	.812
	8726	.875
	8729	.937
	2109	1.000

MATERIAL BRASS 360 1/2 HARD		FINISH NICKEL	
DIMENSIONAL TOLERANCES UNLESS OTHERWISE SPECIFIED		TITLE BRASS ROUND 1/4" SPACERS #8 CLEARANCE	
XX	XXX	XXXX	
FRACTIONS	ANGLES	SCALE	
---	---	NONE	
HEAT TREAT	---	DRAWN: T. LORD	DATE 02/10/03
PLDT SCALE: 1=1	---	CHECKED: T. LORD	DATE 02/10/03
		APPROVED: T. LORD	DATE 02/10/03
ABBATRON Electronic Connectors and Hardware 632 Arch Street, Meadville, Pa. 16335		SIZE	DRAWING NUMBER
		B	SD: SMP-00418
		ISSUE	A